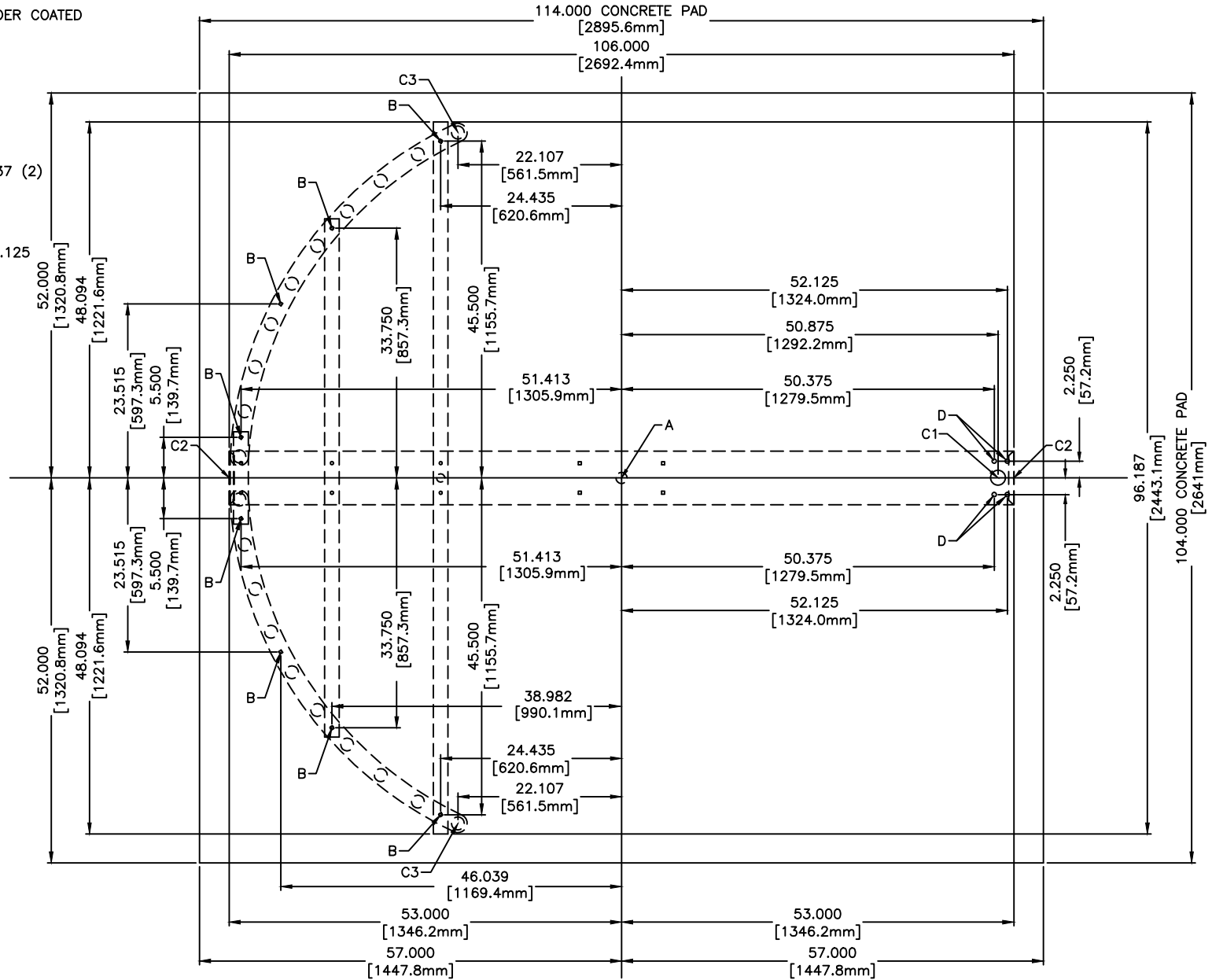
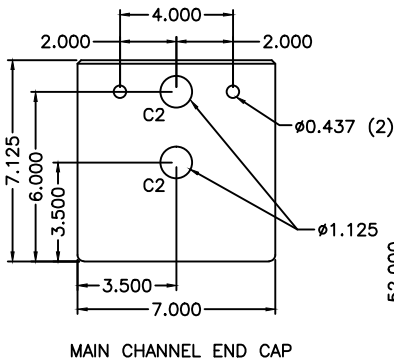


FOR USE ON GALVANIZED OR POWDER COATED  
DS448 MODELS



ANCHOR POINTS  
A= #625 X 4.500 STAINLESS STEEL CONCRETE ANCHOR QTY 1  
B= #375 X 4.500 STAINLESS STEEL CONCRETE ANCHOR QTY 8  
C= #500 X 4.500 STAINLESS STEEL CONCRETE ANCHOR QTY 4

SUGGESTED CONDUIT LOCATION  
C1 = THROUGH VERTICAL BARRIER (PREFERRED)  
C2 = THROUGH MAIN CHANNEL END CAP (TYP BOTH SIDES)  
C3 = THROUGH VERTICAL TOKE TUBE

CONCRETE PAD NOTE:  
POUR PAD 4.000 [101.6mm] - 6.000 [152.4mm] THICK,  
AND INSURE IT IS LEVEL ±.125 [3.1mm]

1. ALL DIMENSIONS ARE APPROXIMATE
2. DIMENSIONS ARE IN INCHES (mm)
3. DO NOT SCALE DRAWING

DSI CONFIDENTIAL  
PROPRIETARY INFORMATION  
This document and the data disclosed  
herein is not to be reproduced, used,  
or disclosed in whole or in part without  
the permission of DESIGNED SECURITY INC.

MATERIAL: N/A	SCALE: 1=20	APPROVED BY:	DRAWN BY: LC III
	DATE: 1/14/14		REVISED: 10/2018
FINISH: TOL. UNLESS OTHERWISE SPEC. .X ± .1    .XXX ± .015 .XX ± .03    ANGLES .5°	330-273-6185 FAX 330-273-4468 USA 1-800-942-0829 FAX 1-800-942-0828		
		DS448-GV PC ANCHOR POINTS/CONDUIT 2018	