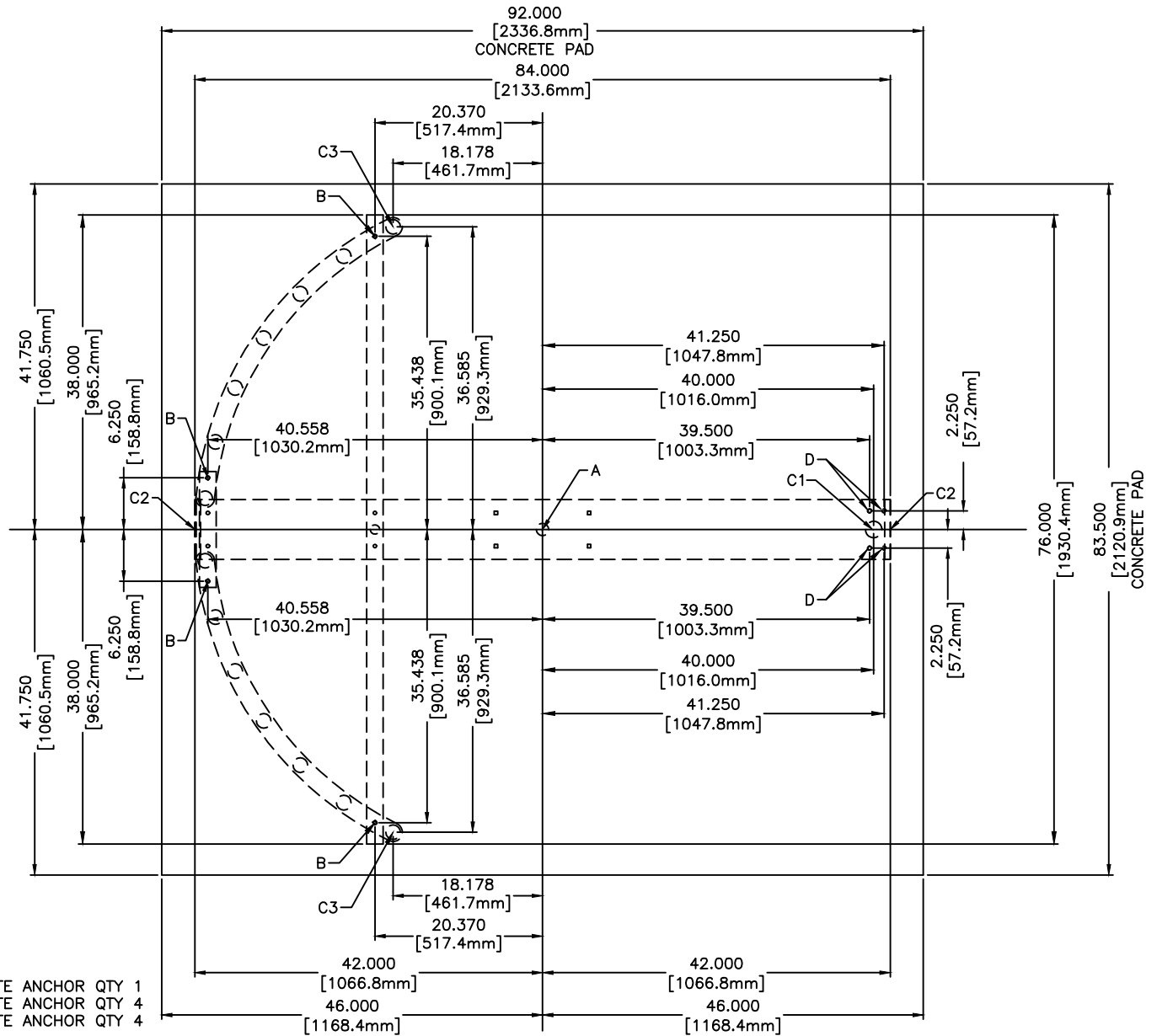
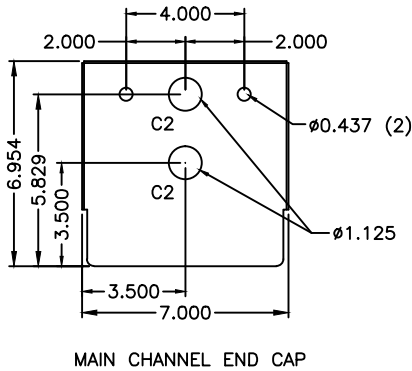


FOR USE ON STAINLESS STEEL  
DS439-S MODELS



1. ALL DIMENSIONS ARE APPROXIMATE
2. DIMENSIONS ARE IN INCHES (mm)
3. DO NOT SCALE DRAWING

ANCHOR POINTS

- A = Ø.625 X 4.500 STAINLESS STEEL CONCRETE ANCHOR QTY 1
- B = Ø.375 X 4.500 STAINLESS STEEL CONCRETE ANCHOR QTY 4
- D = Ø.500 X 4.500 STAINLESS STEEL CONCRETE ANCHOR QTY 4

SUGGESTED CONDUIT LOCATION

- C1 = THROUGH VERTICAL BARRIER (PREFERRED)
- C2 = THROUGH MAIN CHANNEL END CAP (TYP BOTH SIDES)
- C3 = THROUGH VERTICAL YOKE TUBE

CONCRETE PAD NOTE:

POUR PAD 4.000 [101.6mm] - 6.000 [152.4mm] THICK,  
AND INSURE IT IS LEVEL ±.125 [3.1mm]

DSI CONFIDENTIAL  
PROPRIETARY INFORMATION  
This document and the data disclosed  
herein is not to be reproduced, used, or  
disclosed in whole or in part without  
the permission of DESIGNED SECURITY INC.

MATERIAL:	SCALE: .5=12	APPROVED BY:	DRAWN BY: LC III
304 STAINLESS STEEL	DATE: 1/13/14		REVISED: 10/2018
FINISH:	330-273-6185 FAX 330-273-4468 USA 1-800-942-0829 FAX 1-800-942-0828		
TOL. UNLESS OTHERWISE SPEC.	DS439-SS ANCHOR POINTS\CONDUIT 2018		
.X ± .1 .XX ± .03	ANGLES .5°		