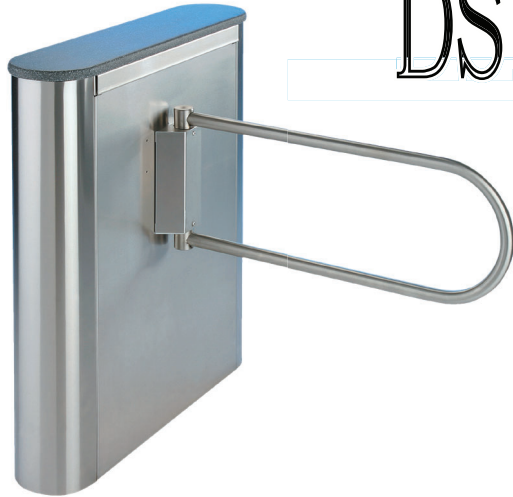
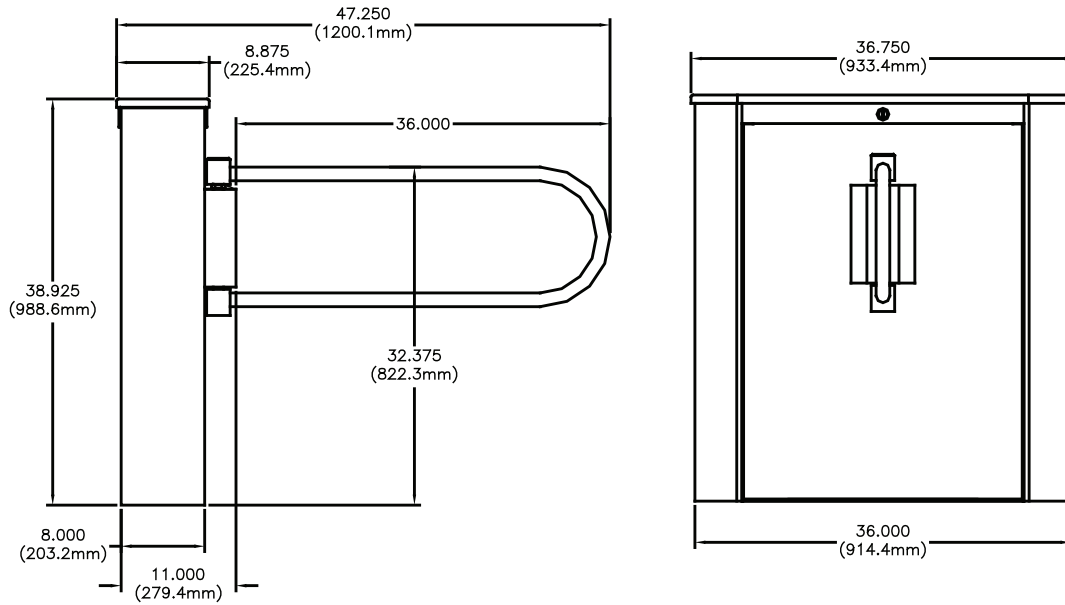


DS100-R-ADA Series



DS100-R-ADA Series



Measures:

- Height: 38.925" (988.7mm)
- Width: 36.75" (933.4mm)
- Depth: 11" (279.4mm)
- Arm length: 36" (914.4mm)

Options:

- Bidirectional key overrides (fail open only)
- 8 digit key resettable LCD counter with seven year lithium battery
- ADA push to exit placard button
- Variable arm lengths (up to 40")
- Signage bracketry
- Variable speed self-opening motorized arm (comes with safety clutch to prevent injury)
- Daylight visible indicator light
- Corian, wooden or other alternate top choices outside of our standard selection
- Additional options available on request

Product Features:

Cabinets are finished in:

- Our signature 304 stainless steel/
No. 4 satin finish

Round tops are available in your choice of:

- Designer solid surface colors to match your interior design needs

Design & Construction:

- Designed for secure operation with aesthetics in mind
- Cabinet inner and outer shells are constructed of (14 gauge) 304 stainless steel/No. 4 satin finish
- Arms constructed of 1-5/16" (33mm) diameter (12 gauge) stainless
- Minimal exposed hardware

Electrical Specifications:

Input Voltage: 100-240 VAC

Input Current: 1.3 - .55 A

Frequency: 50/60 Hz

Storage Temperature: -4 to 158 °F

Operating Temperature: 32 to 122 °F

Operating Voltage: 24VDC

Operating Current: 1.2 A (typical)

Standards and Codes:

Austenitic stainless steel:

ASTM A240, A249, A276

Hot rolled steel:

AISI C-1020, AISI C-1018

Hot dipped galvanizing:

ASTM A-143, ASTM A-153-80

Stainless steel fasteners:

ASTM A-320

American Welding Society (AWS)

Standard D 1.1

Matching Waist High Turnstile

Our matching waist high turnstile (DS100-R) is available for the DS100-R-ADA

Warranty:

Units are warranted against defects in materials and workmanship for a period of one year from date of invoice.