

# ES8900



## Slimline

Designed for use in building lobby applications where higher security, high-speed throughput and interior aesthetics are priorities. The Slimline Optical Turnstile provides a visual as well as physical barrier which communicates that authorization is required before entering the secured area. These units will monitor high throughput traffic flow of up to 60 people per minute per lane. Barriers open in less than 1.5 seconds.



ES8900 Series

## FEATURES & BENEFITS

- Complements architectural styling
- Acrylic barriers can be ordered anywhere between 38" and 48" above finished floor
- No nuisance alarms from pull bags
- Encourages employees to maintain access control procedures
- Detects tailgating
- Compatible with any access control system
- High throughput easy entry or exit for authorized personnel
- Field configurable for card-in/card-out or card-in/free-exit operation (No programming necessary)
- Reduces number of personnel needed to monitor building entry/exit points
- Meets ANSI/BHMA Door Break Away Standard for Power Operated Pedestrian Doors
- LCD Displays
- Network configurable
- ADA compliant

**DSI**<sup>™</sup>  
DESIGNED SECURITY, INC.  
A Detex Company

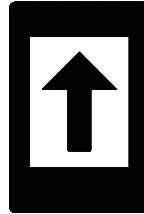
1402 Hawthorne St.  
Bastrop, TX 78602  
Voice: 1-800-272-3555  
Fax: 1-512-321-9181  
E-mail: [dsi@dsigo.com](mailto:dsi@dsigo.com)  
[www.dsigo.com](http://www.dsigo.com)

# ES8900 Acrylic Barrier Turnstile

## LCD DISPLAY IMAGES



PRESENT CARD



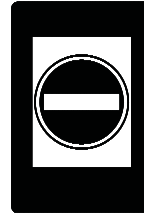
FREE ACCESS



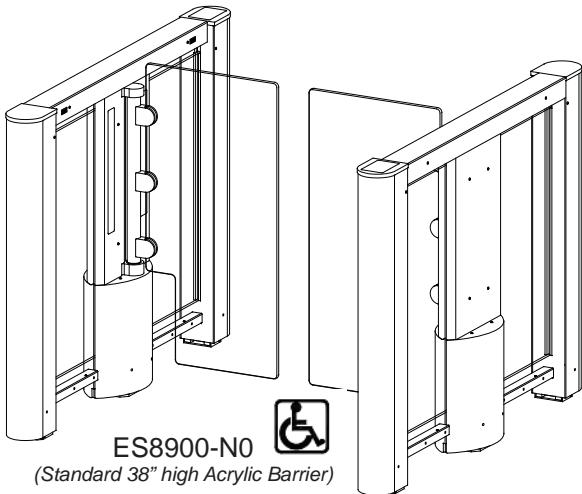
PROCEED



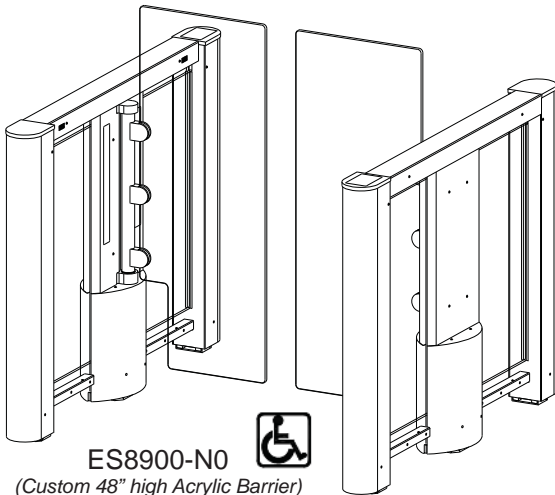
ALARM



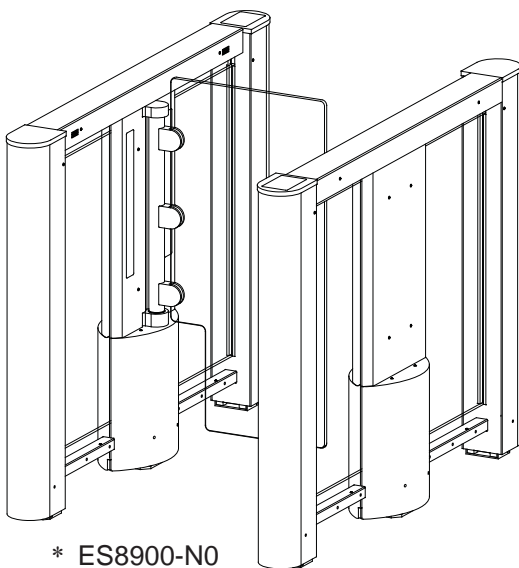
LANE CLOSED



ES8900-N0  
(Standard 38" high Acrylic Barrier)



ES8900-N0  
(Custom 48" high Acrylic Barrier)



\* ES8900-N0  
(Standard 38" high Single Acrylic Barrier)

## ELECTRICAL SPECIFICATIONS

Power: 24 VDC @ 3 amps/Walkway

Control Inputs: N/O - Momentary "Entry Granted" (max. 1 sec. Pulse Closure)  
 N/O - Momentary "Exit Granted" (max. 1 sec. Pulse Closure)  
 N/O - Momentary "Invalid Card"  
 N/O - Maintained "Bypass Lane"  
 N/O - Momentary "Emergency Situation"  
 N/O - Maintained "Barrier Disable"  
 N/O - Maintained "Free-Entry"  
 N/O - Maintained "Free-Exit"  
 N/O - Maintained "Entry Closed"  
 N/O - Maintained "Exit Closed"

Status Outputs: N/O - "Alarm Condition"  
 N/O - "Alarm Condition"  
 N/O - "Entry Passage Completed"  
 N/O - "Entry Time Out"  
 N/O - "Exit Passage Completed"  
 N/O - "Exit Time Out"  
 N/O - "Barrier Forced"  
 N/O - "Bypass"  
 N/O - "Invalid Card"

## MECHANICAL SPECIFICATIONS

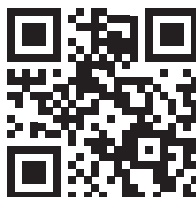
Size: 48.62"L x 38.00"H x 6.75"W

Construction: Brushed Stainless Steel and Aluminum

Finish: Top Surface: Dupont Corian® and Stainless Steel  
 Side Surface: Stainless Steel  
 Acrylic Barrier: Standard barrier measures 38" high by 17" wide by 3/8" thick

Recommended bollard spacing is 30" to 38" apart\*. Wider spacing may result in pedestrians attempting to pass through the lane side by side

\*For walkways less than 30" wide, a single acrylic barrier is recommended



**DSI**<sup>TM</sup>  
 DESIGNED SECURITY, INC.  
 A Detex Company

1402 Hawthorne St.  
 Bastrop, TX 78602  
 Voice: 1-800-272-3555  
 Fax: 1-512-321-9181  
 E-mail: dsi@dsigo.com  
 www.dsigo.com