

# ES5600 CONTROL BOARD

Receiver "Left Unit"

MAG Lock  
Relay

Alarm  
Relay

Piezo

A Passage Complete  
Relay

B Passage Complete  
Relay

Calibrate LED  
 • Flashing *Not Calibrated*  
 • Off *Calibrating*  
 • On *Calibrated*

Remote Annunciator  
Input

A Test Button  
 • Press to test exit input

B Test Button  
 • Press to test entry input

A Input

Ground

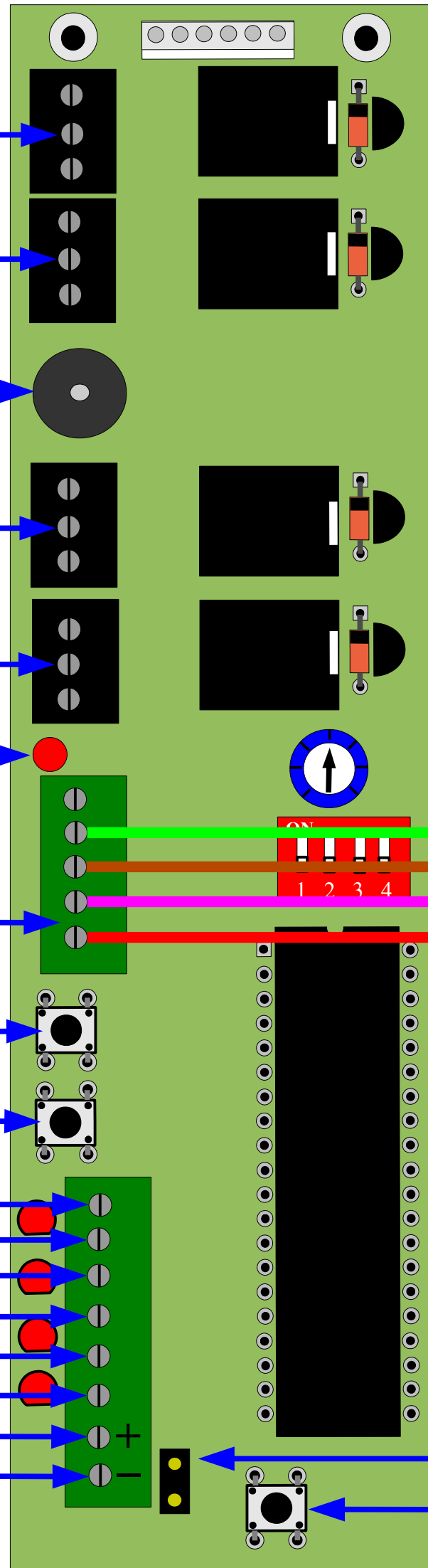
B Input

Bypass Input

Ground

Door Input

Power  
12 "VDC"



Each Remote Annunciator will provide visual and audible notification to users on the opposite side of the door the ES5600 Entry Sentry is mounted upon.

**Note:**

Wire Gauge:  
22 AWG = Signal wires

1 Gang back box  
1.5" deep

**Mounting:**

- Install on the Opposite side of the door
- Power is provided by the ES5600

# R1 REMOTE ANNUNCIATOR

