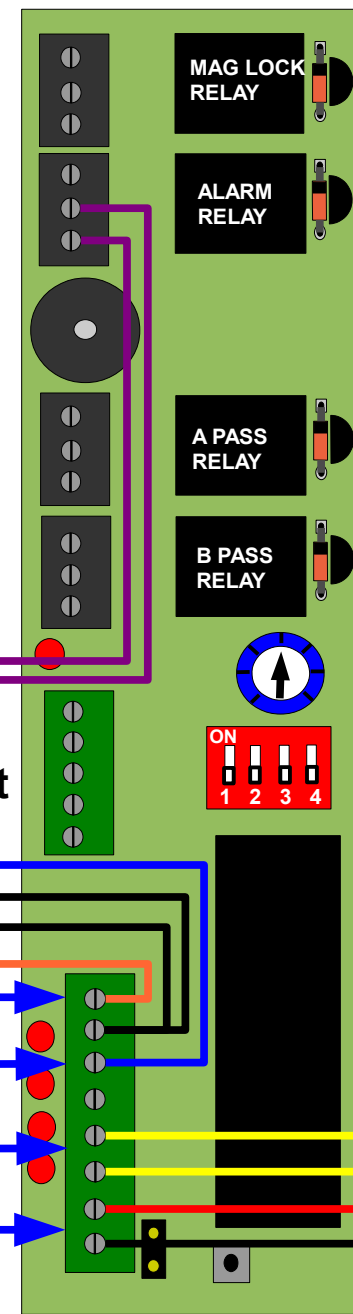
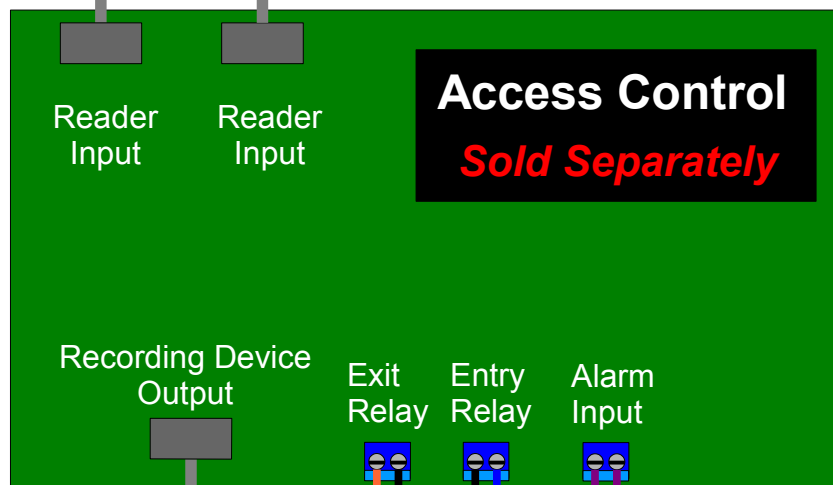


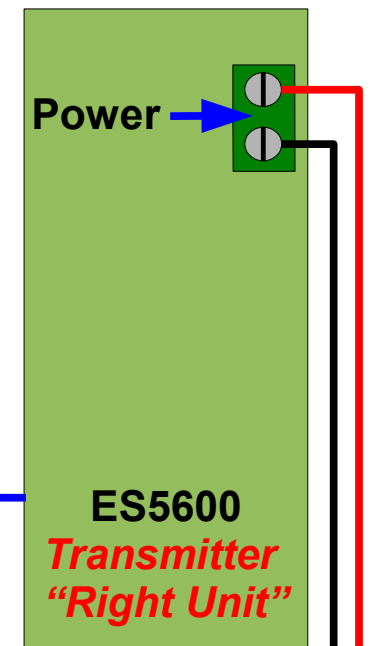
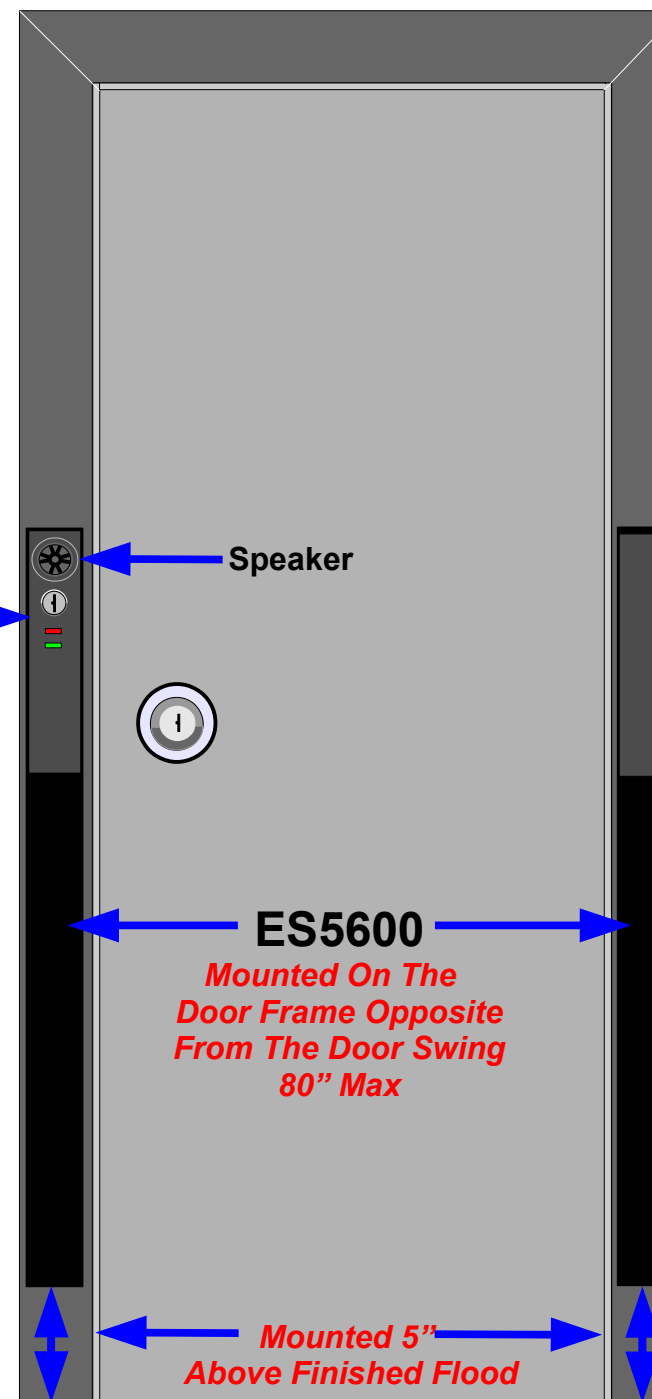
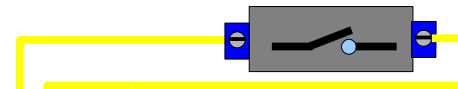
ES5600-R0

Card-In Card-Out

Note: Wire Gauge:
22 AWG = Signal wires
22 AWG = Power wires
(Power runs 45-90 feet use 18 AWG)

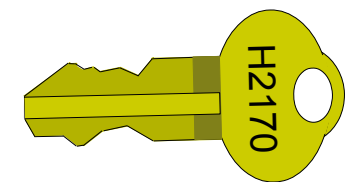


Door Switch
DC/HS30
Sold Separately



Card Reader
Exit Side

Card Reader
Entry Side



K1 Key (Side View)

Recording Device
Sold Separately

12 VDC
1 Amp
Power Supply
Sold Separately

The alarm message:
"Warning Tailgate Violation"

Note:
Suggested Power Supply
PS/DC12

Specifications: ES5600

Power: 12VDC @ 1 Amp

Output Relays: N/C or N/O contact 1Amp @ 30 VDC

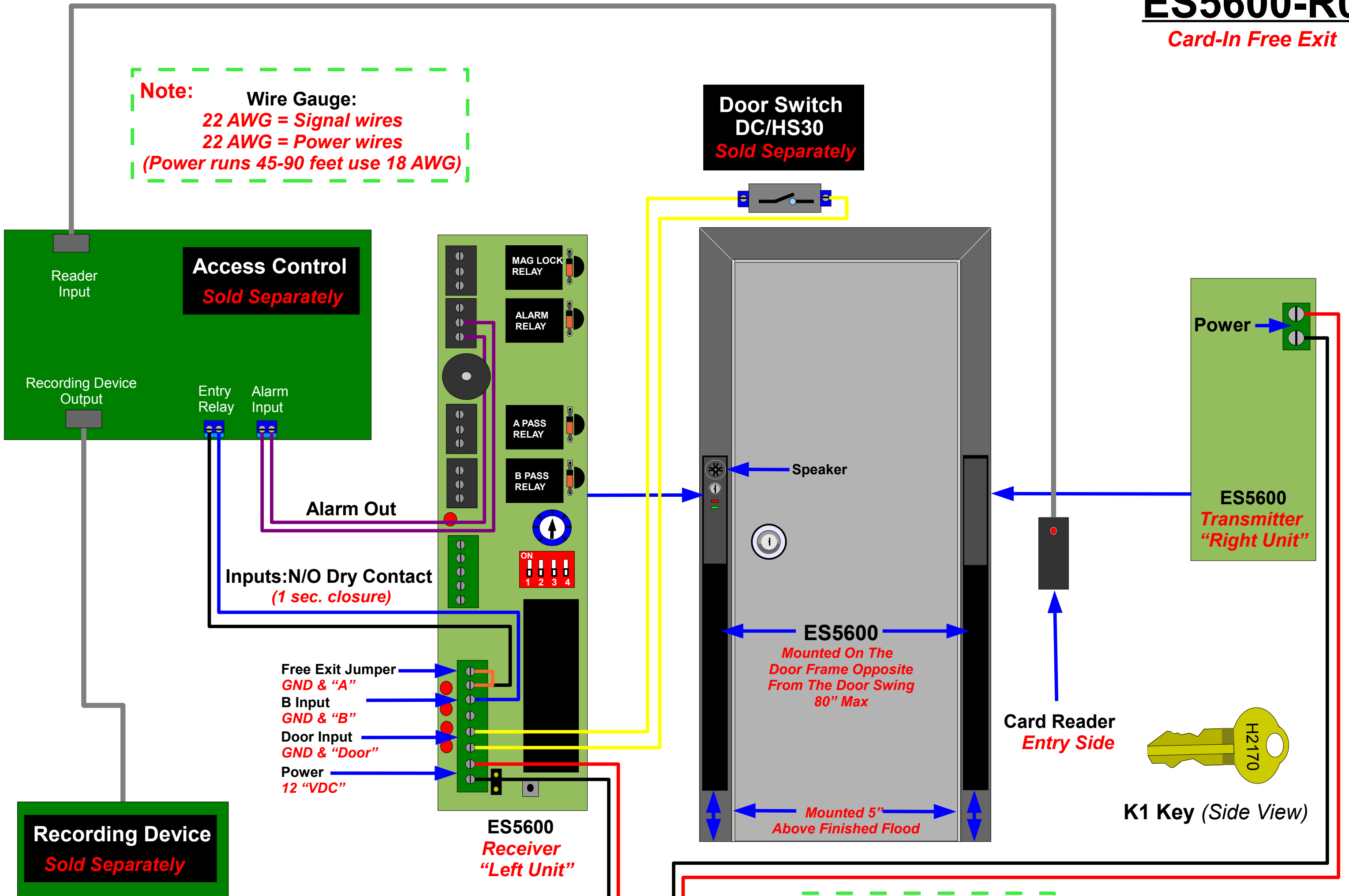
Speaker: Fixed Volume 85 dB Max @ 3 feet

DSITM
DESIGNED SECURITY, INC.
1-800-272-3555

ES5600-R0

Card-In Free Exit

Note: Wire Gauge:
22 AWG = Signal wires
22 AWG = Power wires
(Power runs 45-90 feet use 18 AWG)

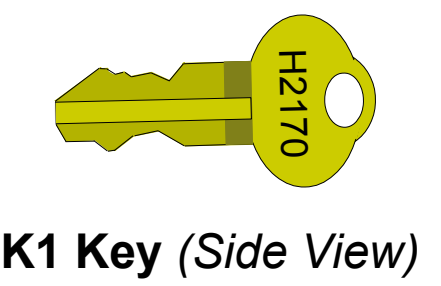


Recording Device
Sold Separately

Specifications: ES5600
Power: 12VDC @ 1 Amp
Output Relays: N/C or N/O contact 1Amp @ 30 VDC
Speaker: Fixed Volume 85 dB Max @ 3 feet

**12 VDC
1 Amp
Power Supply**
Sold Separately

The alarm message:
"Warning Tailgate Violation"
Note:
Suggested Power Supply
PS/DC12

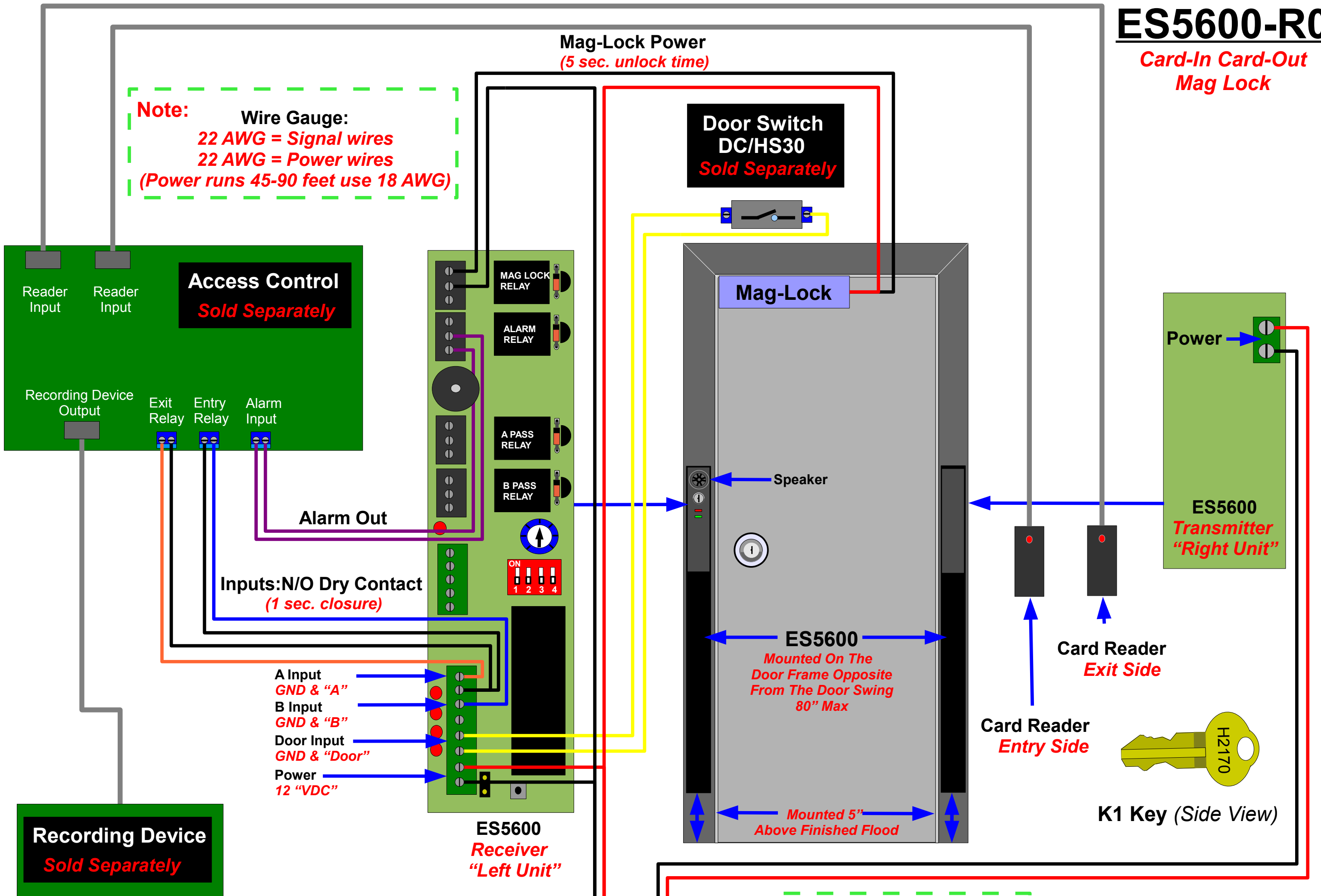


K1 Key (Side View)

DSITM
DESIGNED SECURITY, INC.
1-800-272-3555

ES5600-R0

Card-In Card-Out
Mag Lock



Specifications: ES5600
Power: 12VDC @ 1 Amp
Output Relays: N/C or N/O contact 1Amp @ 30 VDC
Speaker: Fixed Volume 85 dB Max @ 3 feet

12 VDC
1 Amp
Power Supply
Sold Separately

The alarm message:
"Warning Tailgate Violation"

Note:
Suggested Power Supply
PS/DC12

DSI!
DESIGNED SECURITY, INC.
1-800-272-3555