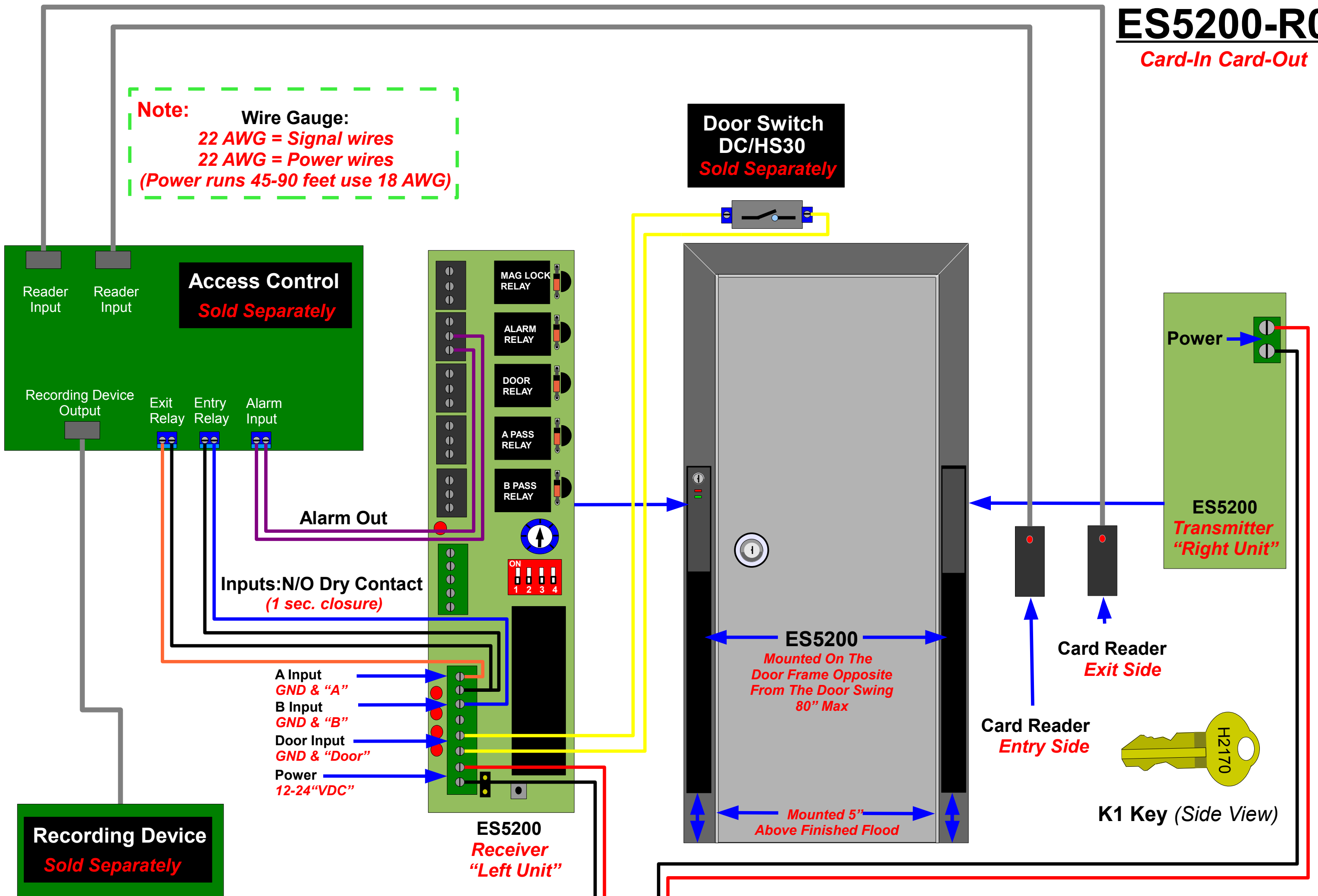


# ES5200-R0

Card-In Card-Out

**Note:** Wire Gauge:  
22 AWG = Signal wires  
22 AWG = Power wires  
(Power runs 45-90 feet use 18 AWG)



**Recording Device**  
Sold Separately

A Input  
GND & "A"  
B Input  
GND & "B"  
Door Input  
GND & "Door"  
Power  
12-24 "VDC"

**ES5200**  
Receiver  
"Left Unit"

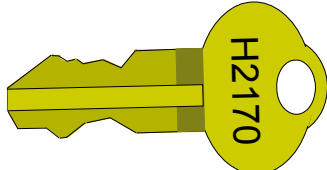
**Door Switch**  
DC/HS30  
Sold Separately

**Power**

**ES5200**  
Transmitter  
"Right Unit"

**Card Reader**  
Exit Side

**Card Reader**  
Entry Side



K1 Key (Side View)

**ES5200**  
Mounted On The  
Door Frame Opposite  
From The Door Swing  
80" Max

Mounted 5"  
Above Finished Flood

**Specifications:**  
Power: 12-24VDC at (500mA)  
Output Relays: N/C or N/O contact 1000mA at 30 VDC  
Alarm: 85 dB @ 3 feet

**12-24 VDC**  
500mA  
Power Supply  
Sold Separately

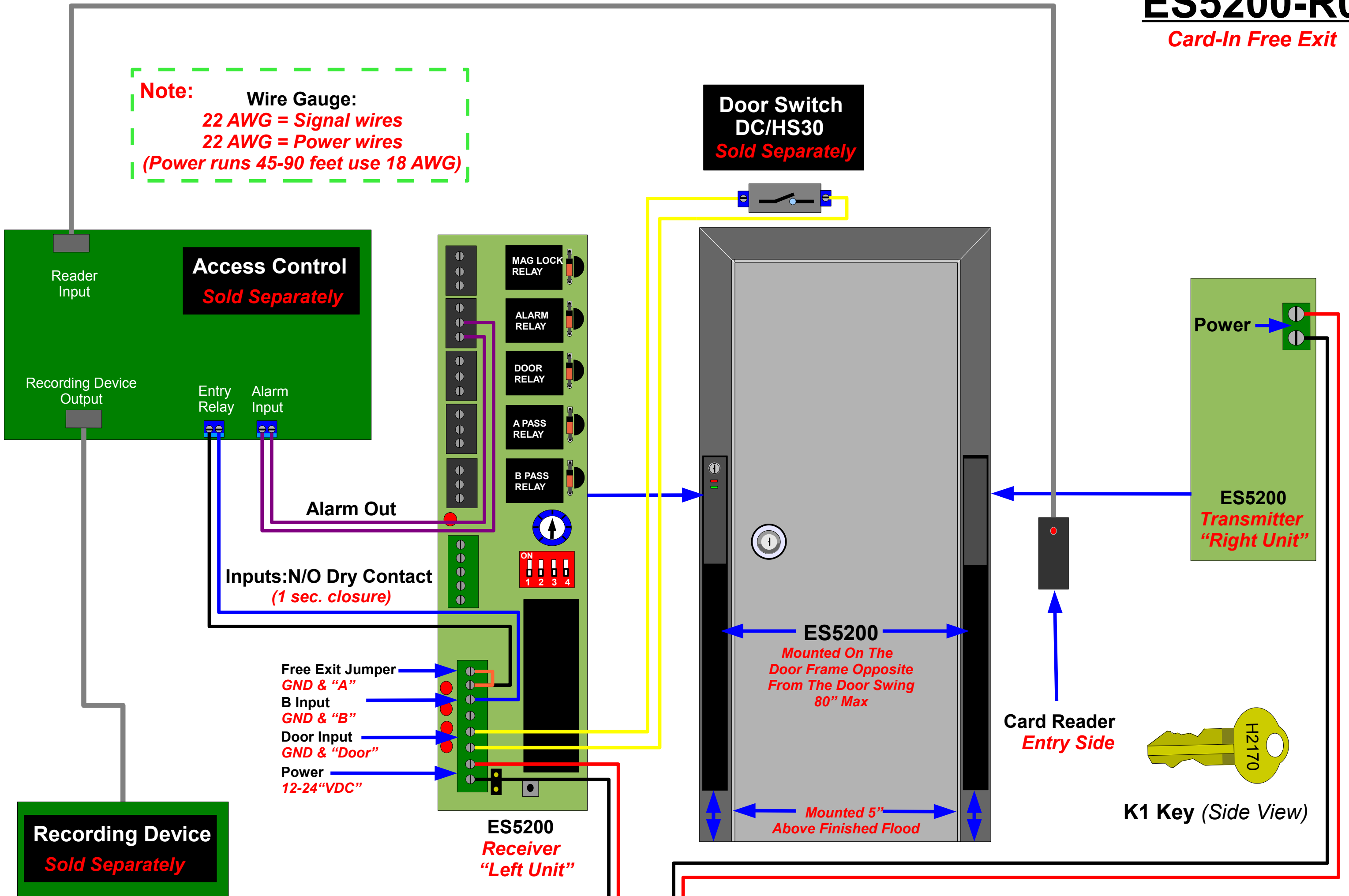
**Note:**  
Suggested Power Supply  
PS/DC12

**DSI**<sup>TM</sup>  
DESIGNED SECURITY, INC.  
1-800-272-3555

# ES5200-R0

Card-In Free Exit

**Note:** Wire Gauge:  
22 AWG = Signal wires  
22 AWG = Power wires  
(Power runs 45-90 feet use 18 AWG)



**Specifications:**  
Power: 12-24VDC at (500mA)  
Output Relays: N/C or N/O contact 1000mA at 30 VDC  
Alarm: 85 dB @ 3 feet

12-24 VDC  
500mA  
Power Supply  
Sold Separately

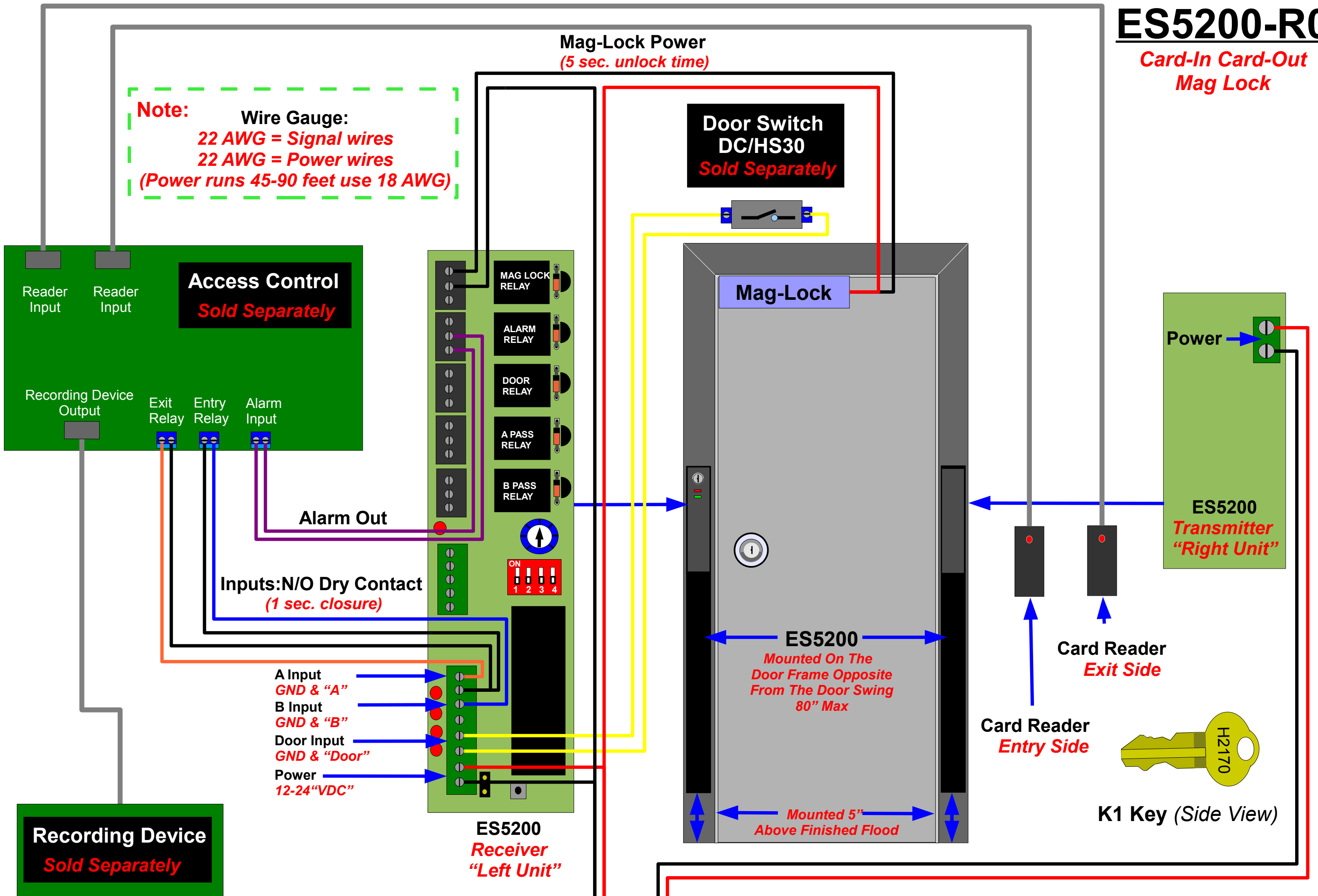
**Note:**  
Suggested Power Supply  
PS/DC12

**DSI**<sup>TM</sup>  
DESIGNED SECURITY, INC.  
1-800-272-3555

# ES5200-R0

Card-In Card-Out  
Mag Lock

**Note:** Wire Gauge:  
22 AWG = Signal wires  
22 AWG = Power wires  
(Power runs 45-90 feet use 18 AWG)



**Specifications:**  
Power: 12-24VDC at (500mA)  
Output Relays: N/C or N/O contact 1000mA at 30 VDC  
Alarm: 85 dB @ 3 feet

12-24 VDC  
500mA  
Power Supply  
Sold Separately

**Note:**  
Suggested Power Supply  
PS/DC12

**DSI**<sup>TM</sup>  
DESIGNED SECURITY, INC.  
1-800-272-3555