

ES4600

Door Management Alarm with Digital Voice Annunciation

The ES4600 is a multifunctional door monitoring device combining standard door management functions with digital voice annunciation. Field selectable alarm timing, delay, and input/output options make the ES4600 the product of choice.



FEATURES & BENEFITS

- Aesthetically pleasing design
- Compatible with all access control systems
- Can be used as a stand-alone product
- Field selectable alarm timing and alarm delay option
- Field adjustable volume control
- 12-24 VAC/VDC operation
- Easy installation
- Encourages employees to maintain access control procedures
- Reset/bypass key switch and remote input
- Visual status indicator
- Tamper resistant
- Incorporates form C output relays
- EOL door supervision
- Remote/Aux speaker output



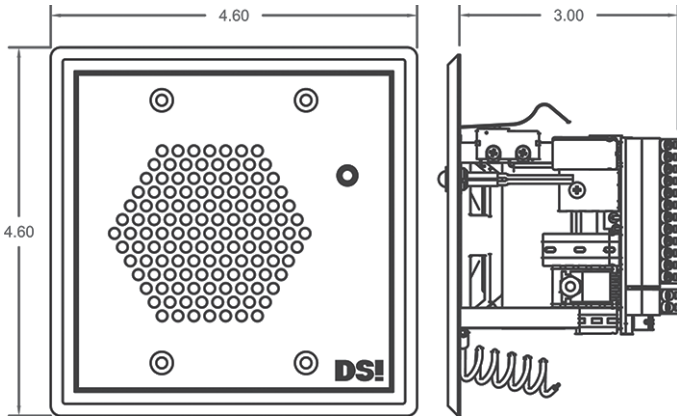
ES4600-K1-T1

ES4600 Series

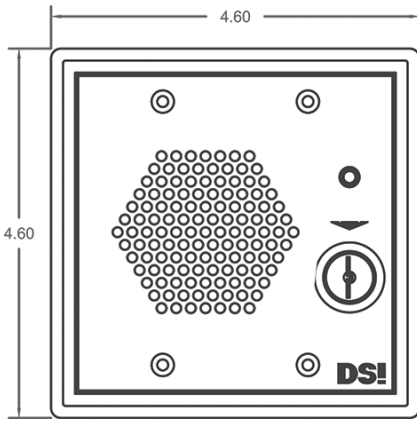
DSI[®]
DESIGNED SECURITY, INC.
A Detex Company

1402 Hawthorne St.
Bastrop, TX 78602
Toll Free: 1-800-272-3555
Phone: 1-512-321-4426
Fax: 1-512-321-9181
E-mail: dsi@dsigo.com
www.dsigo.com

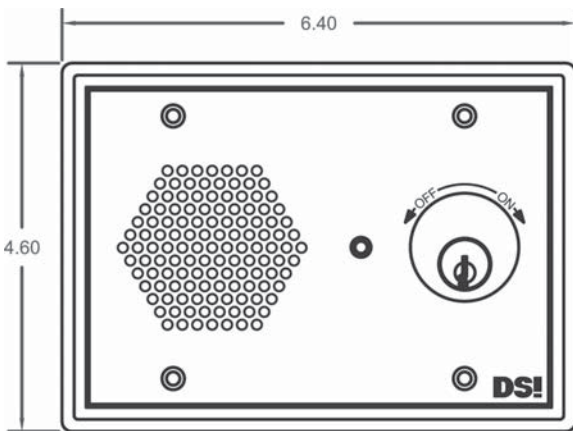
ES4600 Voice Prompt Door Management Alarm



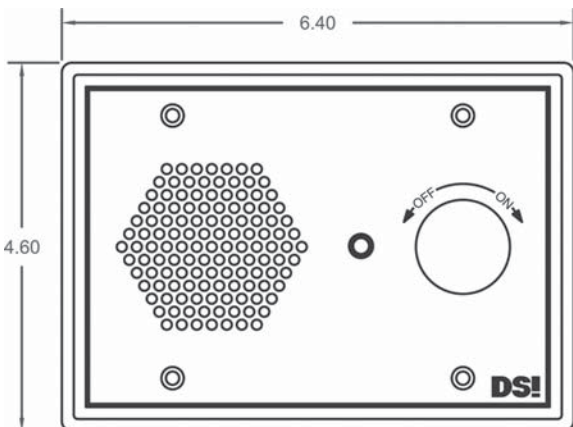
ES4600-K0-T1



ES4600-K1-T1



ES4600-K3-T1



ES4600-K4-T1

PRODUCT DESCRIPTION

The ES4600 door management alarm with voice annunciation provides complete monitoring of access control points by offering door prop/door held and intrusion/door forced detection. These alarms are designed to complement access control systems and will interface with electronic locks. They produce digital voice warnings to reduce nuisance alarms by encouraging user compliance with access control procedures.

ELECTRICAL SPECIFICATIONS

Power:	12-24 VAC/VDC @ 500 mA
Local Control:	Key switch for Unit Reset/Bypass
Control Input:	N/O or N/C Alarm Shunt N/C Door Contact N/O Remote Reset/Bypass Voltage Sense Shunt
Control Output:	N/O and N/C Door Contact Status N/O and N/C Door Prop Alarm Status N/O and N/C Intrusion/Tamper Alarm Status N/O and N/C Bypass/Key switch Status Remote LED
Adjustment:	Auto Reset 0 sec. – 5 min. or Manual Reset Alarm Delay 0 sec. – 5 min. or Infinite Silent Time 0 sec. – 90 min.

Alarm:	Field Adjustable Volume Remote/Aux Speaker Output - 8Ω
---------------	---

MECHANICAL SPECIFICATIONS

Dimensions:	ES4600-K0 4.6" w x 4.6" h x 3.00" d
	ES4600-K1 4.6" w x 4.6" h x 3.00" d
	ES4600-K3 6.4" w x 4.6" h x 3.00" d
	ES4600-K4 6.4" w x 4.6" h x 3.00" d

Key Switch:	K1 Double Bit K3 Rim hardware with cylinder K4 Rim hardware without cylinder
--------------------	--

Finish:	Painted – DSI Beige
----------------	---------------------



DSI[®]
DESIGNED SECURITY, INC.
A Detex Company

1402 Hawthorne St.
Bastrop, TX 78602
Toll Free: 1-800-272-3555
Phone: 1-512-321-4426
Fax: 1-512-321-9181
E-mail: dsi@dsigo.com
www.dsigo.com