

**ES4200-K1-T1**

- **Monitoring for Security Doors**
  - \* Door prop/door held detection
  - \* Door intrusion/door forced detection
  - \* Latching Exit Alarm
  - \* Door supervision/tamper detection
  - \* Tamper switch
- **Enhances Access Control**
  - \* Audible warning reduces false door held alarms
  - \* Reduces workload of security personnel
  - \* Flexible interfacing with electric door locks
  - \* Encourages employees to maintain access control procedures
- **Versatile System Integration**
  - \* Card access systems
  - \* Request to exit systems (REX)
  - \* Stand Alone

## Operation

The **ES4200 Series Door Management Alarm (DMA)** offers door prop/door held, intrusion/door forced and exit alarm detection capabilities to provide complete monitoring of access control points. The DMA may also be used as a stand-alone device. The unit is typically mounted near the monitored door. An optional tamper switch is available. This product carries a CE marking.

### Door Prop/Door Held Detection - Valid Access

The door prop function utilizes two (2) distinct monitoring periods, the Silent Time period and the Alarm Delay Time period. The Silent Time period (field adjustable from 0 seconds to 90 minutes) begins when the monitored door is opened. If the door is closed within this time period, the alarm remains silent. However, if the door is held longer than the Silent Time period, the Alarm Delay Time period begins and the local sounder emits an intermittent audible alarm and a flashing green LED. This warning will continue for the set period of Alarm Delay Time (field adjustable from 0 seconds to 5 minutes and INFINITE). This alarm alerts users of a potential door prop/door held alarm, and encourages them to secure the door. Closing the door silences and resets the audible alarm. If held open beyond the Alarm Delay Time period, the unit will then sound a steady audible alarm, the Door Prop Alarm Status relay will change and the LED will flash Red.

### Intrusion/Door Forced Detection - Invalid Access

The DMA recognizes an intrusion violation when the secured door is forced open. The unit responds by activating the Intrusion/Tamper Alarm relay (optional), sounding a continuous audible alarm and flashing the LED red. The unit remains in alarm until reset by:

- Integral key switch.
- Remotely through a dry contact.
- Automatically through an onboard timer

## Electrical Specifications

<b>Power</b>	12-24 VAC/VDC @ 250 mA
<b>Local Control</b>	Key switch for reset/bypass Tamper switch (T1)
<b>Control Input</b>	N/O or N/C alarm shunt N/C door contact N/O remote reset/bypass Voltage sense shunt
<b>Control Output</b>	N/O and N/C bypass status N/O and N/C door contact status N/O and N/C door prop alarm status N/O and N/C intrusion/tamper alarm status Remote LED (used with ES450 output)
<b>Adjustment</b>	Auto reset 0 seconds - 5 minutes or manual reset Alarm delay 0 seconds - 5 minutes or infinite Silent time 0 seconds - 90 minutes
<b>Alarm</b>	Field selectable High - 103 dB @ 3 ft Low - 96 dB @ 3 ft

## Mechanical Specifications

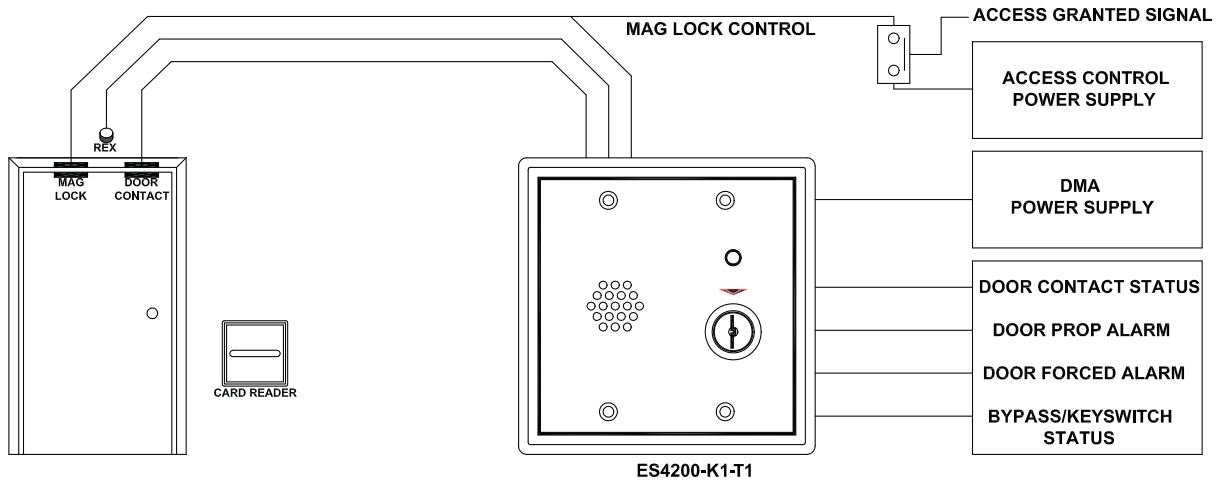
<b>Dimensions</b>	ES4200-K0	4.6"w x 4.6"h x 2.30"d
	ES4200-K1	4.6"w x 4.6"h x 2.30"d
	ES4200-K2	4.6"w x 4.6"h x 2.30"d
	ES4200-K3	6.4"w x 4.6"h x 2.30"d
	ES4200-K4	6.4"w x 4.6"h x 2.30"d
	ES4200-K5	4.6"w x 4.6"h x 2.30"d
	ES4200-K6	4.6"w x 4.6"h x 2.30"d
	ES4200-K7	6.4"w x 4.6"h x 2.30"d
<b>Key Switch Options</b>	K0 No key switch K1 Double bit K2 Barrel K3 Rim hardware with cylinder K4 Rim hardware without cylinder K5 Medeco K6 DPDT K7 Rim hardware with interchangeable core cylinder	

**Finish:** Painted - DSI Beige

## Options (field selectable)

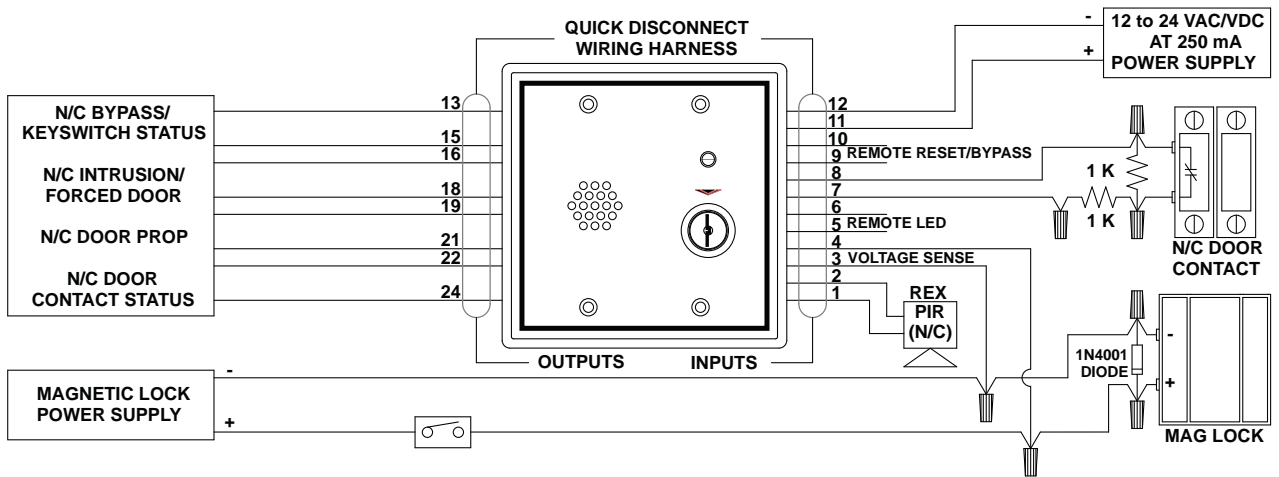
Shunt recycle  
Shunt contact mode  
Door supervision  
Intrusion detection  
Loud horn volume  
Shunt delay timer  
Extended silent time  
Voltage sense mode

### Door Management Alarm Application



The **ES4200 Door Management Alarm (DMA)** includes separate, Form C, “Door Prop” and “Door Forced” alarm outputs. The “Bypass/Key switch” and “Door Contact” status outputs provide remote indication to the monitoring station. This application is useful with stand-alone card reader systems using free-exit hardware, or may be integrated with access control systems. A card reader or exit sensor (REX) input shunts the DMA to allow free egress while monitoring for propped or forced doors. Separate alarm output contacts for “Door Propped” and “Door Forced” may be given different priority within the monitoring system.

### Wiring Diagram



## ES4200 Accessories

**Surface Mount Boxes**      **DSI part number S2, S3**  
\* Space inside for wiring  
\* Mounts directly to wall surface  
\* 2 gang, 3 gang  
*For specifications see accessories page 1*

**Door Contact**                **DSI part number DC/HS30, DC/SD80**  
\* Surface mount or recessed  
\* White  
*For specifications see accessories page 2, 3*

**Power Supply**                **DSI part number PS/AC16**  
\* Basic surge protection  
\* LED power indicator  
*For specifications see accessories page 5*

**Extra Keys**                    **DSI part number K-1**  
\* Double bit key  
\* 2 keys included

**DSI part number K-2**  
\* Barrel key  
\* 2 keys included

**DSI part number K-3**  
\* Rim cylinder key  
\* 1 key included

**DSI part number K-5**  
\* Medeco key  
\* 1 key included

**DSI part number K-6**  
\* DPDT  
\* 2 keys included

## ES4200 Options

**Key Switch Options**

- \* K0 No key switch
- \* K1 Double Bit
- \* K2 Barrel
- \* K3 Rim hardware with cylinder
- \* K4 Rim hardware without cylinder
- \* K5 Medeco
- \* K6 DPDT
- \* K7 Rim hardware with interchangeable core cylinder

*For specifications see accessories page 1*