

# Waist High Turnstile

## DS5500-S Series

Interior & Exterior Application

The DS5500 Series units operate reliably with high traffic volumes where cost is an important consideration. Heavy 7-gauge carbon steel cabinets can be interfaced with optional LCD counters, card readers, push button and wireless remotes. Portable units (DS5000-P) are also available. Standard colors are black, gray, and almond but custom colors are available and can be quoted upon request. We also offer an ADA compliant handicapped gate with this series. (DS5000-ADA).



DS5500-S SERIES



### FEATURES AND BENEFITS

- Designed for secure and reliable operation with aesthetics in mind
- Heavy gauge carbon steel cabinet with stainless top, arms and hub
- Easy installation
- Can be configured as a portable unit
- Will interface with counters, access control, push buttons and remote controls
- Minimal exposed hardware

#### Standard powder coating color selections:



Additional colors are available and can be quoted upon request.

**DSI**<sup>®</sup>  
DESIGNED SECURITY, INC.  
*Building Security*

1402 Hawthorne St.  
Bastrop, TX 78602  
Voice: 1-800-272-3555  
Fax: 1-512-321-9181  
E-mail: [dsi@dsigo.com](mailto:dsi@dsigo.com)  
[www.dsigo.com](http://www.dsigo.com)

# DS5500-S Series - Interior & Exterior Application

## Applications:

Ideal for high traffic/high volume environments like stadiums, convention centers, military bases and retail stores.

## Product Features:

### Materials and Finishes available in your choice of:

- Lid: 304 stainless steel /No. 4 satin finish
- Cabinet: Your choice of designer powder coat colors to match any décor. Black is standard.

## Design & Construction:

- Designed for secure and reliable operation with aesthetics in mind
- Cabinet is constructed with rigid (7 gauge) carbon steel
- Cover is constructed with (14 gauge) 304 stainless steel, No. 4 satin finish
- Arm assembly constructed with 1 5/16" (33mm) diameter, (12 gauge) stainless steel
- Hub 4 1/2" (114mm) o.d. also made from stainless

## Measures:

- Height: 37" (939.8mm)
- Width: 20.125" (511.1mm)
- Depth: 8" (203.2mm)
- Arm Length: 14.500" (368.3mm)

## Operation:

### Control Head, featuring:

- Auto-indexing (self-centering) with adjustable hydraulic shock suppression
- Hardened tool steel locking bars, cam and roller assemblies
- Permanently lubricated bearings
- Your choice of manual or electronic control on both directions
- Nearly universal integration to any number of access control systems
- Your choice on each electronic direction of locking or unlocking on power failure

## Options:

- Bidirectional key overrides
- Daylight visible indicator lights
- 8 digit key resettable LCD counter with seven year lithium battery
- Rubber arm covers
- Additional options available on request

## Electrical Specifications:

Input Voltage: 100-240 VAC  
Input Current: 1.3 - .55 A  
Frequency: 50/60 Hz  
Storage Temperature: -4 to 158°F  
Operating Temperature: 32 to 122°F (Cold weather package available)  
Operating Voltage: 24VDC  
Operating Current: 1.2 A (typical)

## Standards and Codes:

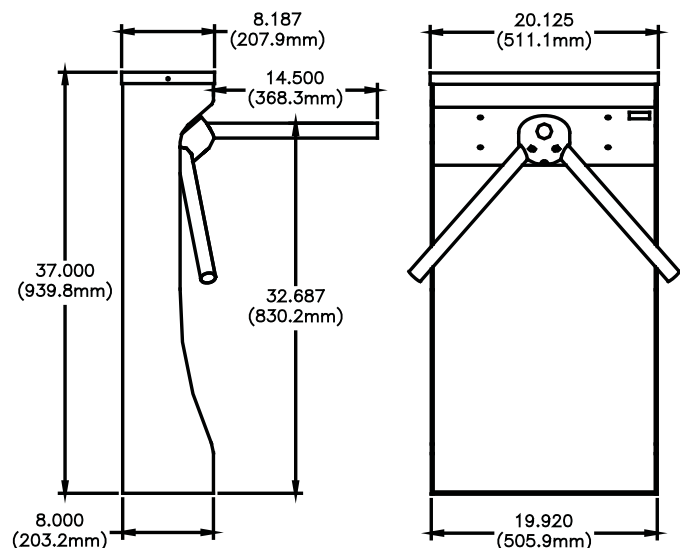
Austenitic stainless steel:ASTM A240, A249, A276  
Hot rolled steel:  
AISI C-1020, AISI C-1018  
Hot dipped galvanizing:  
ASTM A-143, ASTM A-153-80  
Stainless steel fasteners:  
ASTM A-320  
American Welding Society (AWS) Standard D 1.1

## Warranty:

Units are warranted against defects in materials and workmanship for a period of one year from date of invoice.

## Matching ADA Gate available

(see model DS5000-ADA information)



1402 Hawthorne St.  
Bastrop, TX 78602  
Voice: 1-800-272-3555  
Fax: 1-512-321-9181  
E-mail: [dsi@dsigo.com](mailto:dsi@dsigo.com)  
[www.dsigo.com](http://www.dsigo.com)