

ES500W

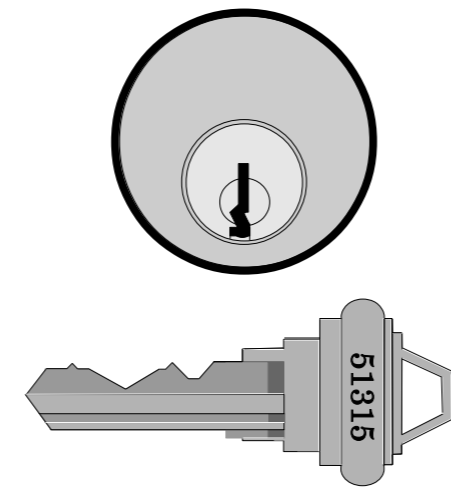
(Weatherized Battery Powered Exit Alarm)

Note: During set-up

The magnet is mounted to the door frame.

The internal reed switch will indicate an opened or closed door.

Handing is programmed for left or right door mounting.



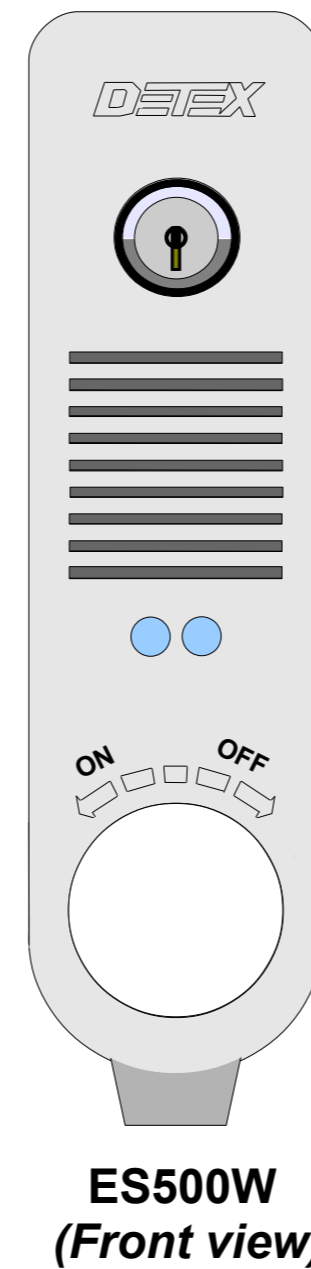
**Mortise Cylinder
RP/MC65
Sold Separately**

Auto Re-Arm Jumper	Off	Key Required to reset the alarm
	On	Alarm will automatically re-arm 2 minutes after the door is closed

Status Indicator Jumper	Off	No LED indication
	On	Red LED blinks every 6 seconds Green LED blinks every 6 seconds

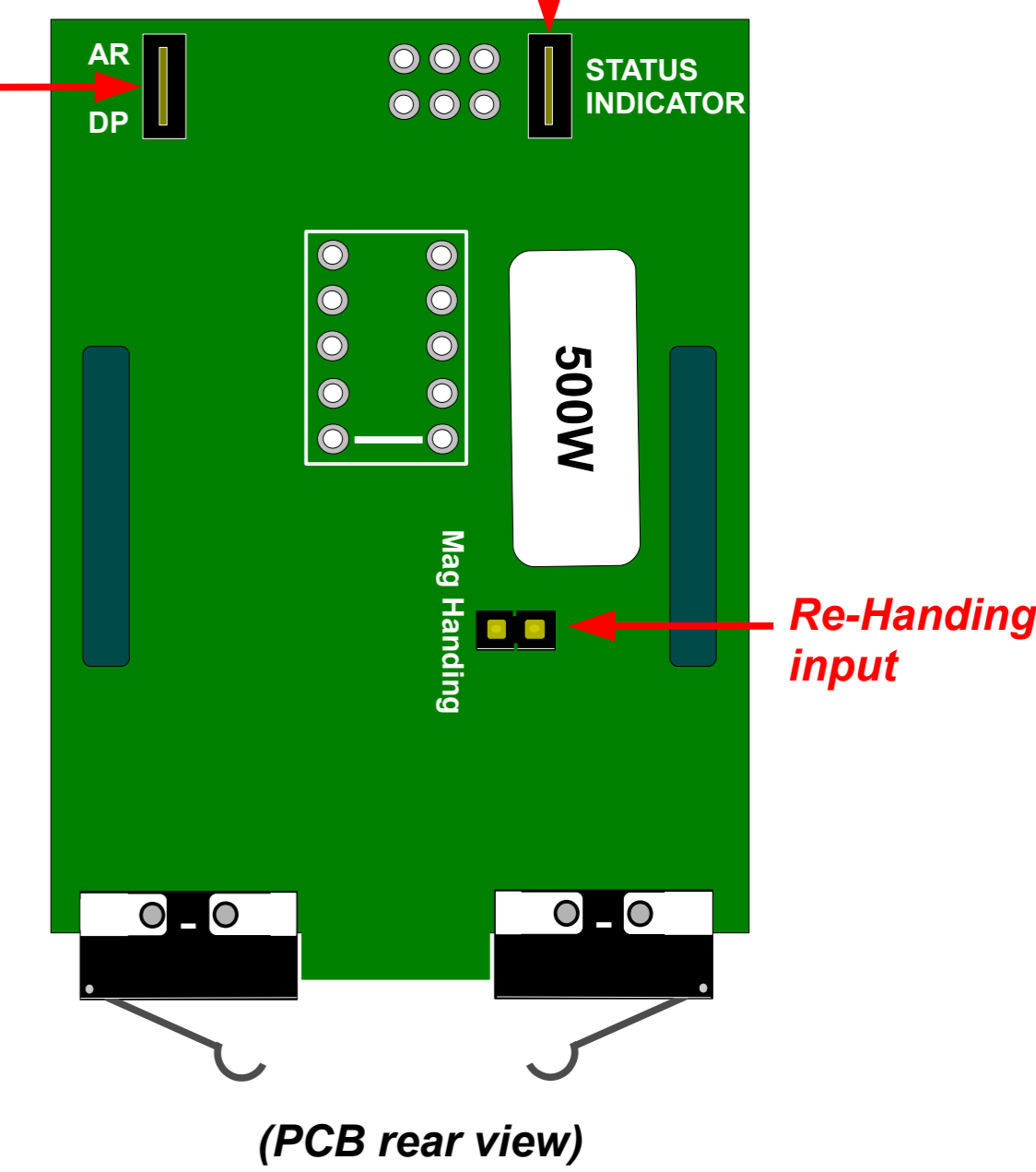


**Handing
Left
OR
Right
Door mounting**



Includes:

- EMERGENCY EXIT ONLY ALARM WILL SOUND** Door Label
- K11 Key (Side View)**
- 9 Volt Battery**
- Magnet (Side View)**



Note: **Re-Handing:**
A momentary short on this input will clear the left or right handing program.

ES500WxMC65

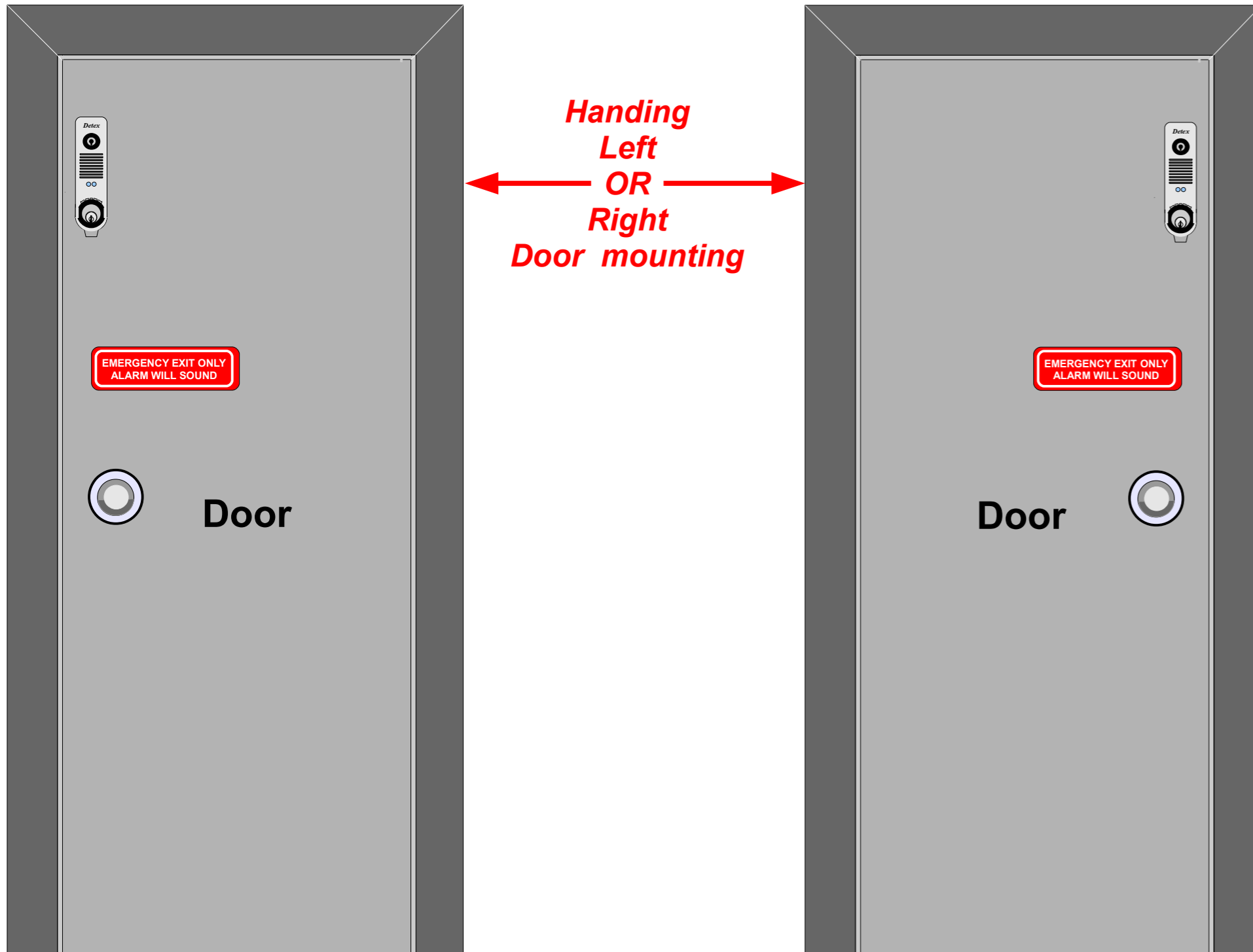
(Weatherized Battery Powered Exit Alarm)

Note: During set-up

The magnet is mounted to the door frame.

The internal reed switch will indicate an opened or closed door.

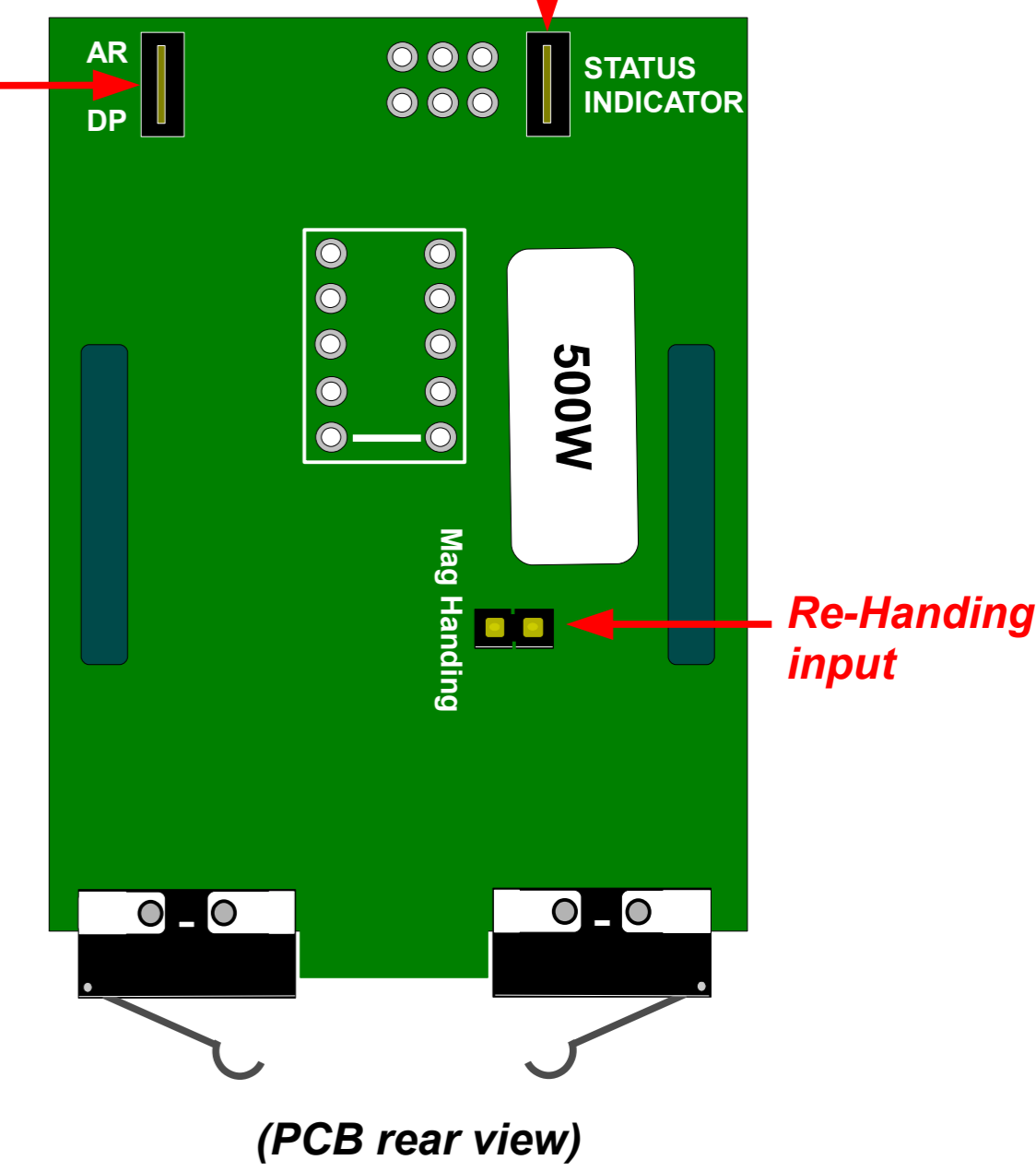
Handing is programmed for left or right door mounting.



Auto Re-Arm Jumper	Off	Key Required to reset the alarm
	On	Alarm will automatically re-arm 2 minutes after the door is closed

Status Indicator Jumper	Off	No LED indication
	On	Armed Red LED blinks every 6 seconds Disarmed Green LED blinks every 6 seconds

- Includes:**
- EMERGENCY EXIT ONLY ALARM WILL SOUND Door Label
 - K11 Key (Side View)
 - 9 Volt Battery
 - K65 Key (Side View)
 - Magnet (Side View)



Note: Re-Handing:
A momentary short on this input will clear the left or right handing program.