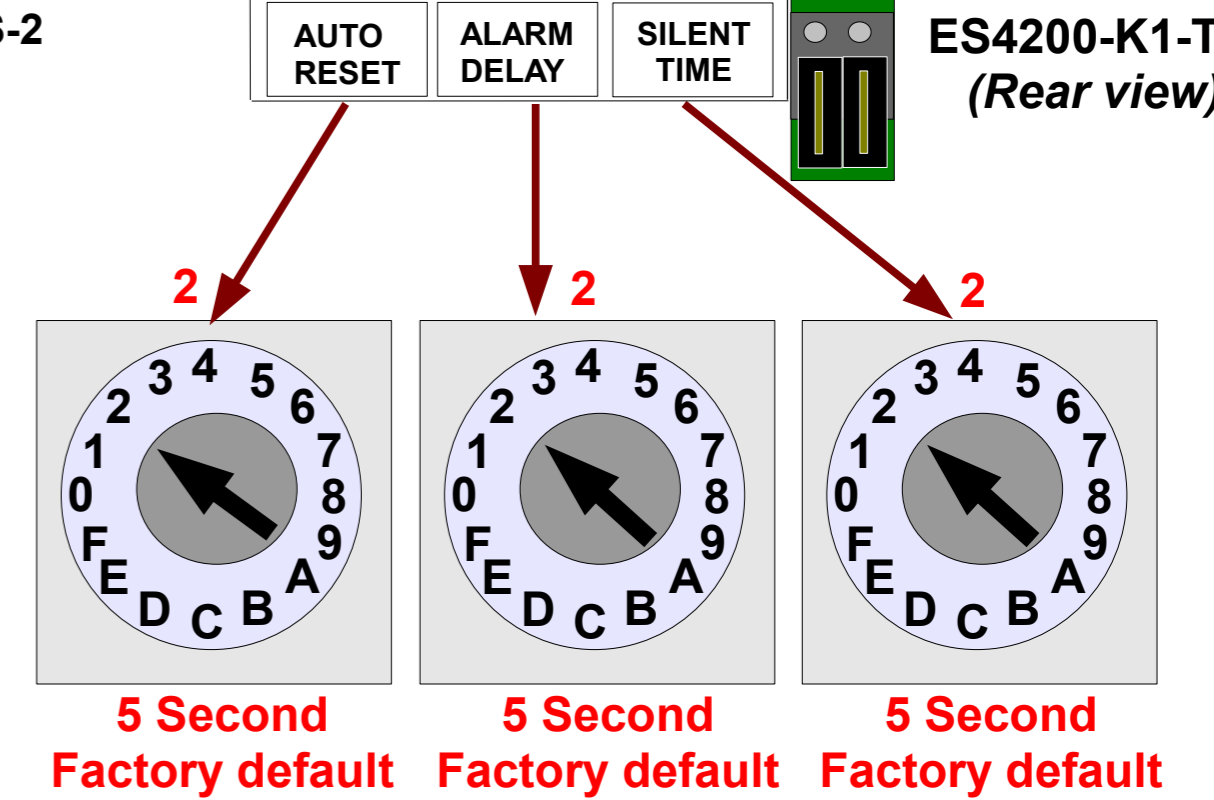
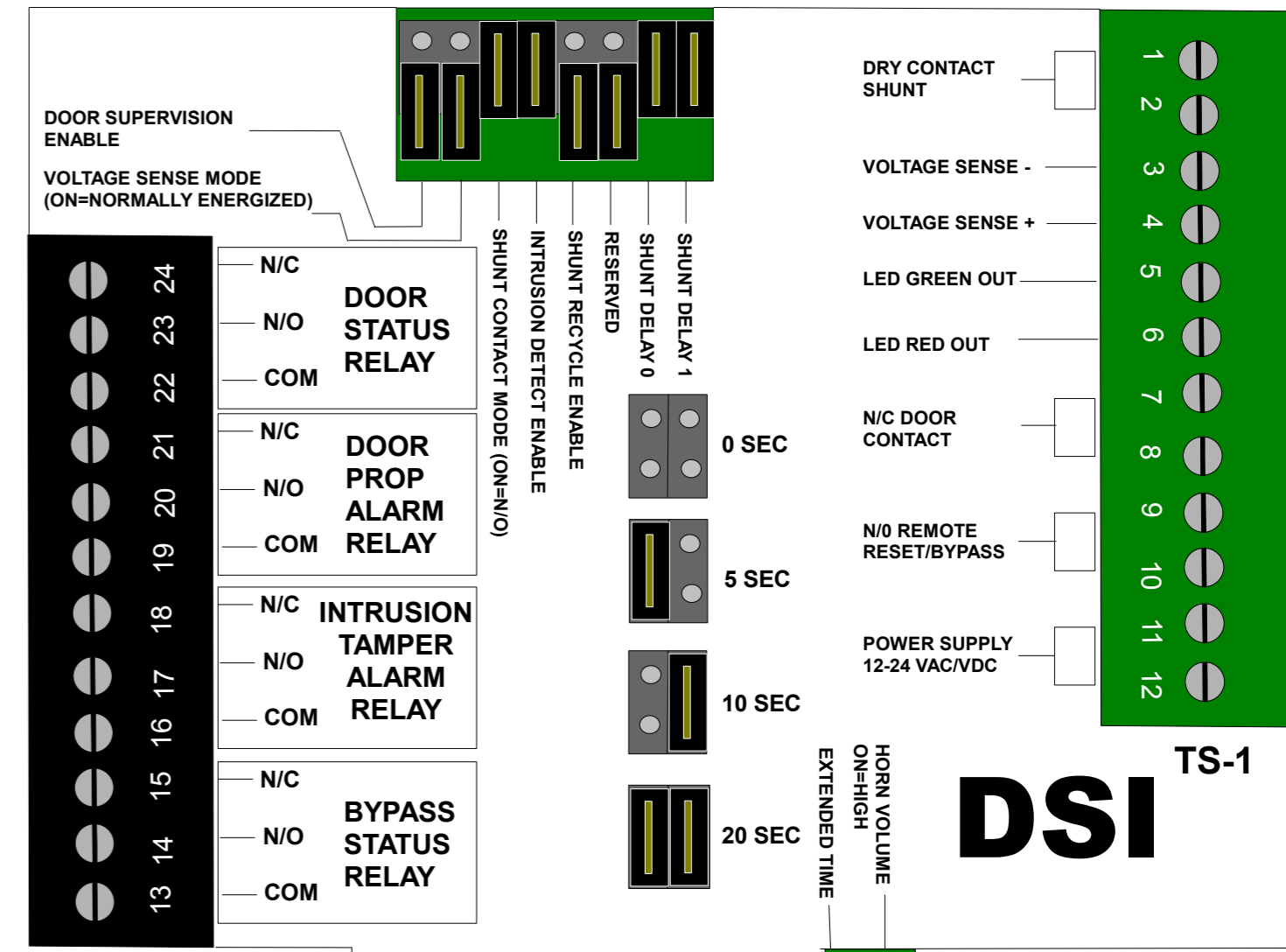
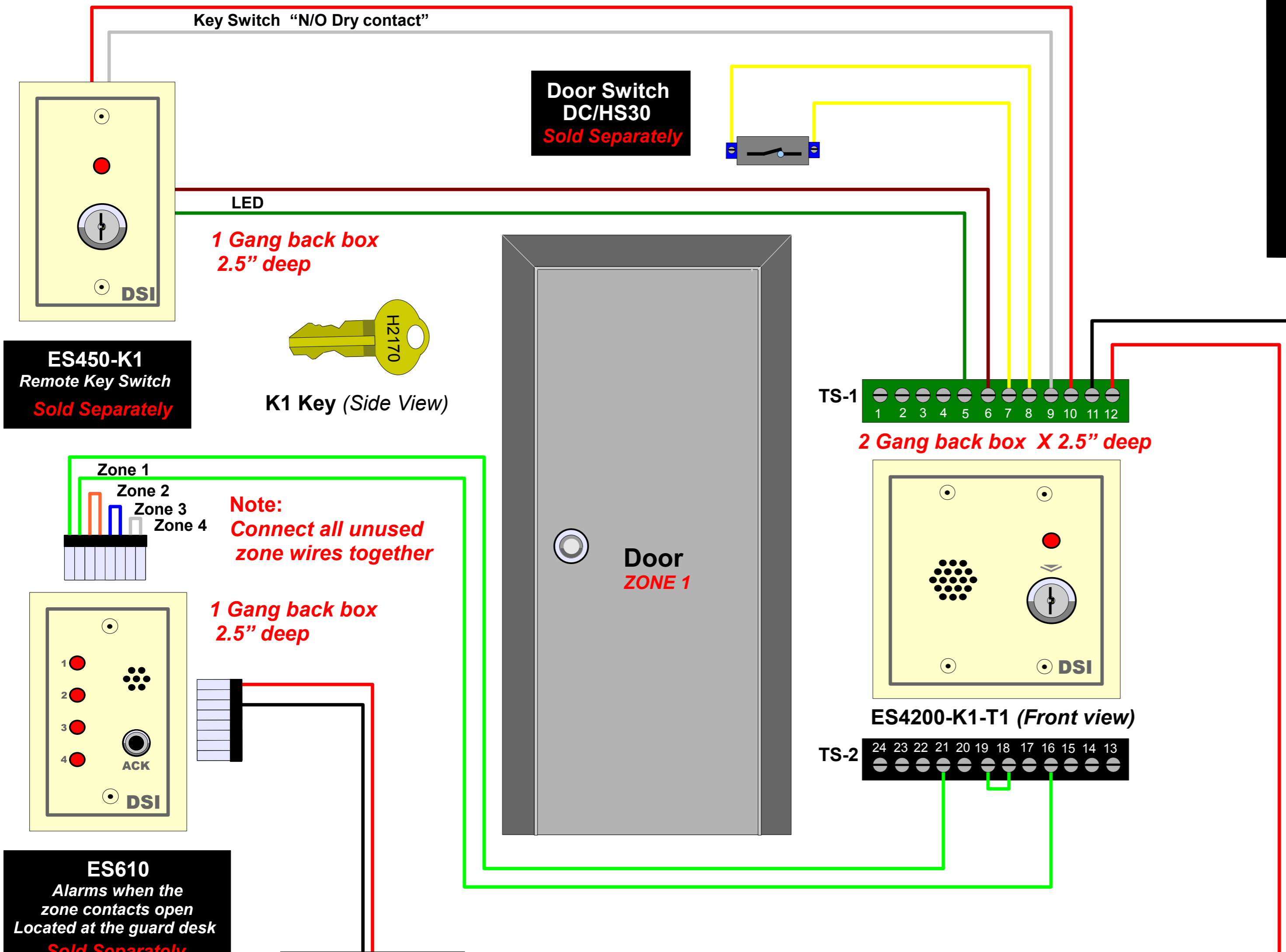


# ES4200-K1-T1 Exit Alarm Configuration

**Specifications: ES4200**  
**Power: 12-24 VAC/VDC at (250ma)**  
**Output Relays: N/C & N/O contact 1000ma at 30 VDC**  
**Horn Volume: Selectable 96db or 103 db**



SET	Auto Reset	Alarm Delay	Silent Time	
			Normal	Extended
0	0 Sec	0 Sec	0 Sec	3 Min
1	3 Sec	3 Sec	3 Sec	3.5 Min
2	5 Sec	5 Sec	5 Sec	4 Min
3	7 Sec	7 Sec	7 Sec	4.5 Min
4	10 Sec	10 Sec	10 Sec	5 Min
5	12 Sec	12 Sec	12 Sec	6 Min
6	15 Sec	15 Sec	15 Sec	7 Min
7	20 Sec	20 Sec	20 Sec	8 Min
8	30 Sec	30 Sec	25 Sec	9 Min
9	45 Sec	45 Sec	30 Sec	10 Min
A	1 Min	1 Min	35 Sec	20 Min
B	2 Min	2 Min	45 Sec	30 Min
C	3 Min	3 Min	1 Min	40 Min
D	4 Min	4 Min	1.5 Min	50 Min
E	5 Min	5 Min	2 Min	60 Min
F	Manual	Infinite	2.5 Min	90 Min

**ES610**  
 Alarms when the zone contacts open  
 Located at the guard desk  
*Sold Separately*

**DSI**  
 DESIGNED SECURITY, INC.  
 1-800-272-3555

**12 VDC 150mA Power Supply**  
*Sold Separately*

**Note:**  
**Wire Gauge:**  
 22 AWG = Signal wires  
 22 AWG = Power wires  
 (Power runs over 50 feet use 18 AWG)

**Note:**  
**Suggested Power Supply**  
 PS/DC12  
 PS/AC16

**12-24 VAC/VDC 250mA Power Supply**  
*Sold Separately*

# ES4200-K1-T1 Exit Alarm Configuration

## Supervised Door

**Specifications: ES4200**

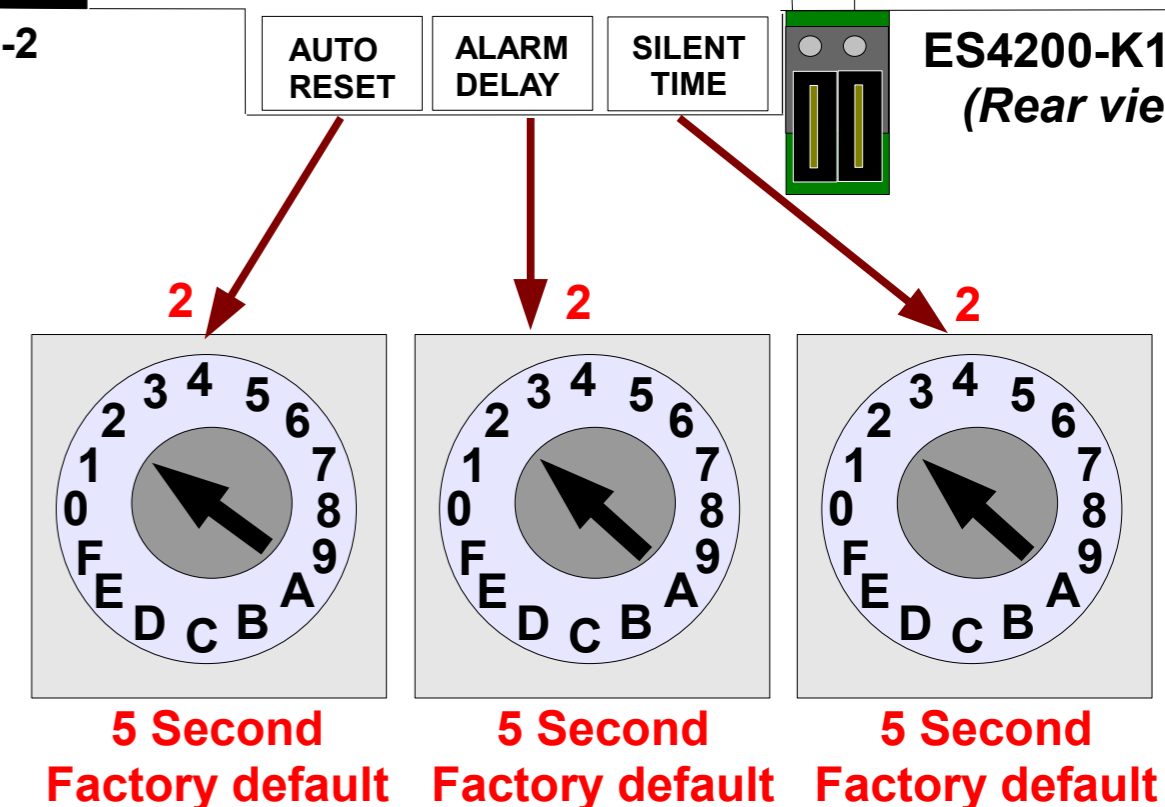
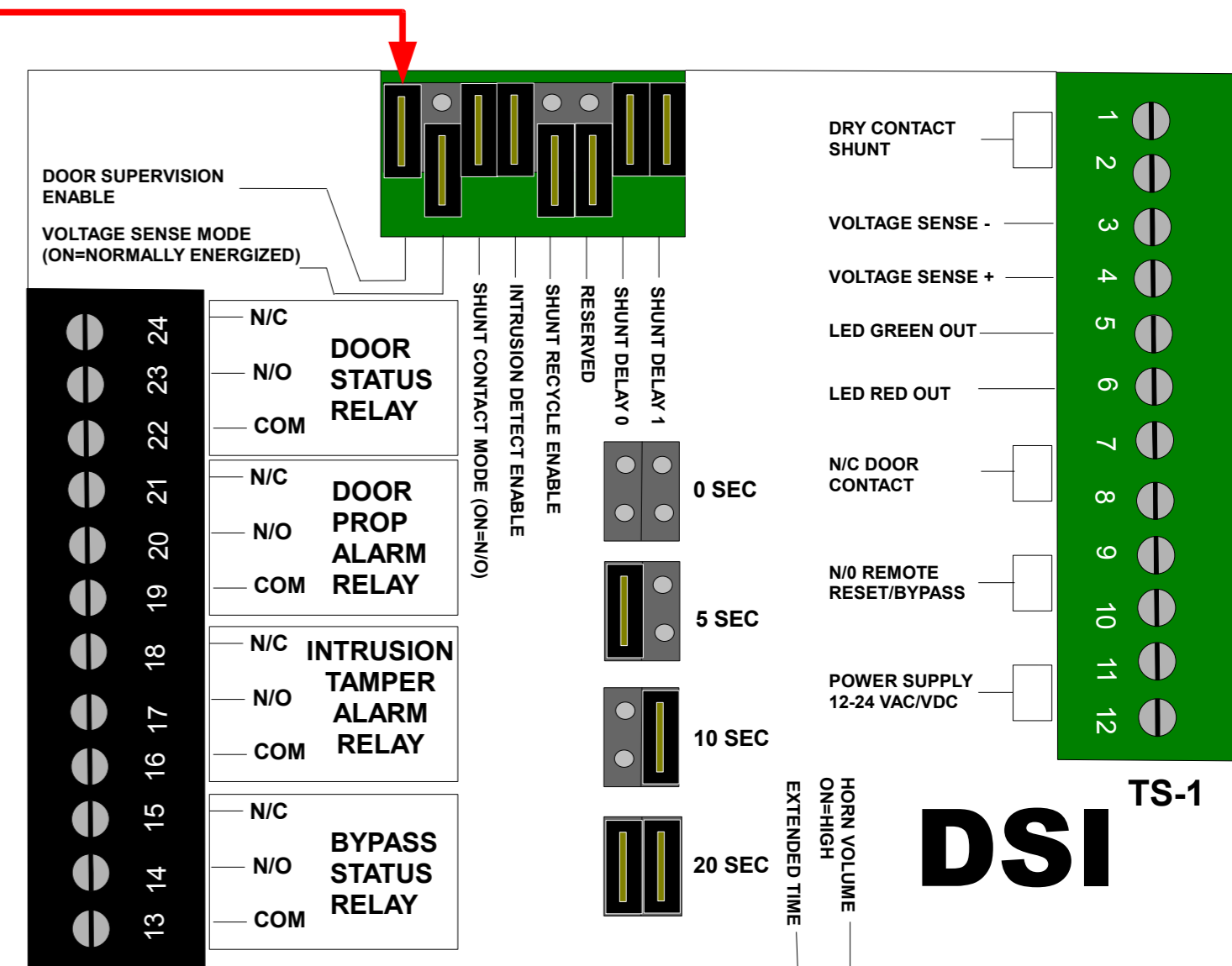
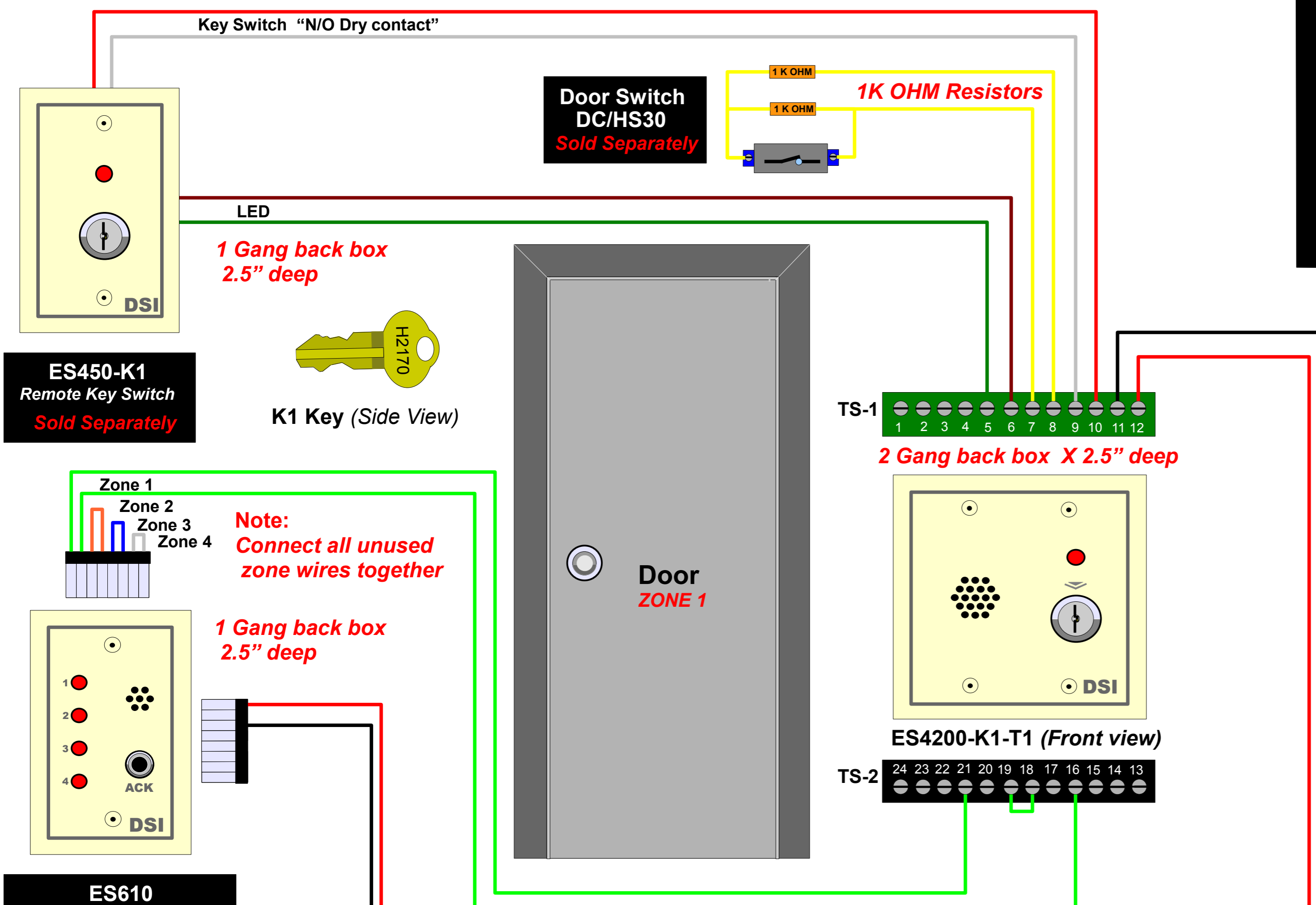
**Power: 12-24 VAC/VDC at (250ma)**

**Output Relays: N/C & N/O contact 1000ma at 30 VDC**

**Horn Volume: Selectable 96db or 103 db**

**Supervision Enable Jumper placement**

**Use 1K OHM resistors on door switch**



SET	Auto Reset	Alarm Delay	Silent Time	
			Normal	Extended
0	0 Sec	0 Sec	0 Sec	3 Min
1	3 Sec	3 Sec	3 Sec	3.5 Min
2	5 Sec	5 Sec	5 Sec	4 Min
3	7 Sec	7 Sec	7 Sec	4.5 Min
4	10 Sec	10 Sec	10 Sec	5 Min
5	12 Sec	12 Sec	12 Sec	6 Min
6	15 Sec	15 Sec	15 Sec	7 Min
7	20 Sec	20 Sec	20 Sec	8 Min
8	30 Sec	30 Sec	25 Sec	9 Min
9	45 Sec	45 Sec	30 Sec	10 Min
A	1 Min	1 Min	35 Sec	20 Min
B	2 Min	2 Min	45 Sec	30 Min
C	3 Min	3 Min	1 Min	40 Min
D	4 Min	4 Min	1.5 Min	50 Min
E	5 Min	5 Min	2 Min	60 Min
F	Manual	Infinite	2.5 Min	90 Min

**ES610**  
Alarms when the zone contacts open  
Located at the guard desk  
*Sold Separately*

**DSI**  
DESIGNED SECURITY, INC.  
1-800-272-3555

**12 VDC 150mA Power Supply**  
*Sold Separately*

**Note:**  
Wire Gauge:  
22 AWG = Signal wires  
22 AWG = Power wires  
(Power runs over 50 feet use 18 AWG)

**Note:**  
Suggested Power Supply  
PS/DC12  
PS/AC16

**12-24 VAC/VDC 250mA Power Supply**  
*Sold Separately*

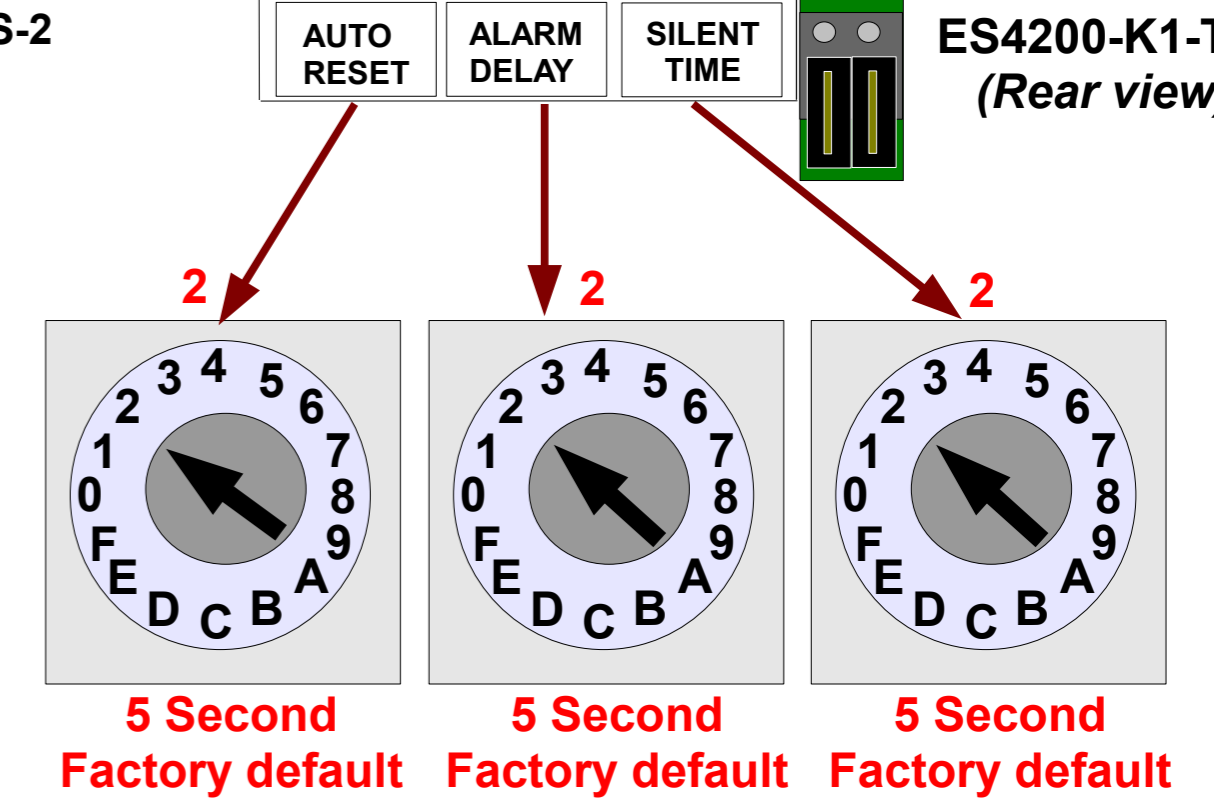
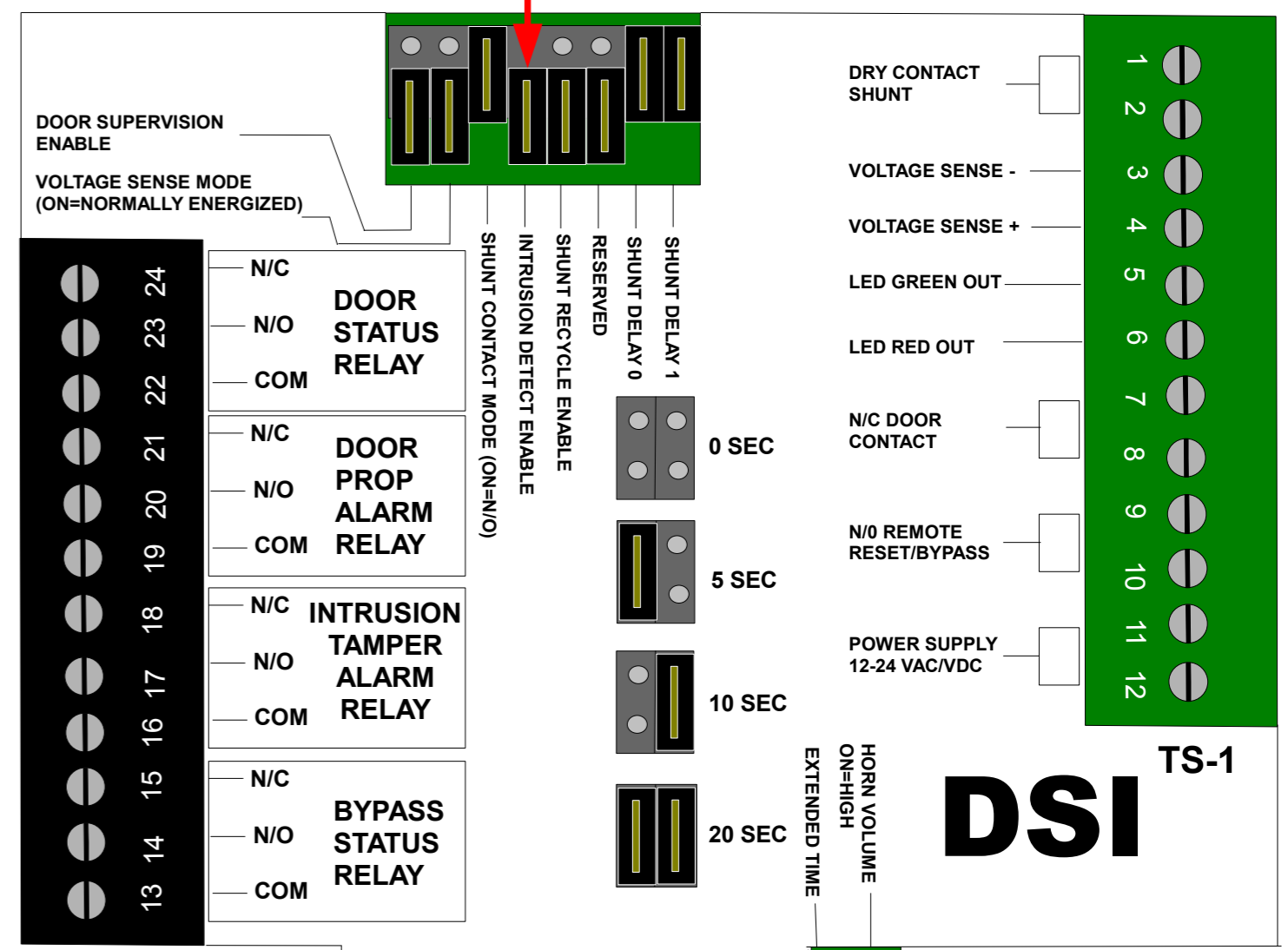
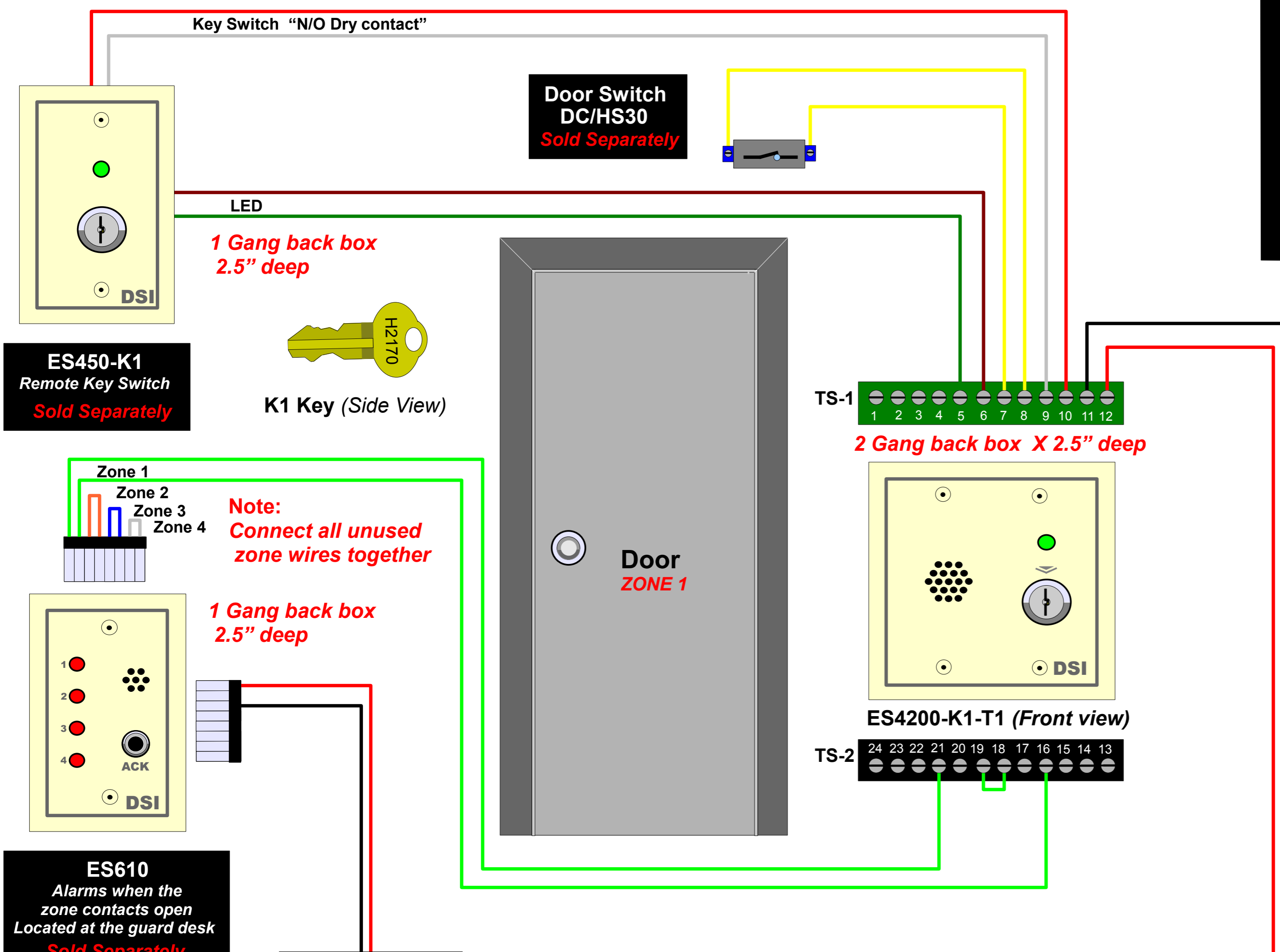


# ES4200-K1-T1 Door Prop Configuration

**Specifications: ES4200**

Power: **12-24 VAC/VDC at (250ma)**  
 Output Relays: **N/C & N/O contact 1000ma at 30 VDC**  
 Horn Volume: **Selectable 96db or 103 db**

**Intrusion Detect Enable Jumper placement**



SET	Auto Reset	Alarm Delay	Silent Time	
			Normal	Extended
0	0 Sec	0 Sec	0 Sec	3 Min
1	3 Sec	3 Sec	3 Sec	3.5 Min
2	5 Sec	5 Sec	5 Sec	4 Min
3	7 Sec	7 Sec	7 Sec	4.5 Min
4	10 Sec	10 Sec	10 Sec	5 Min
5	12 Sec	12 Sec	12 Sec	6 Min
6	15 Sec	15 Sec	15 Sec	7 Min
7	20 Sec	20 Sec	20 Sec	8 Min
8	30 Sec	30 Sec	25 Sec	9 Min
9	45 Sec	45 Sec	30 Sec	10 Min
A	1 Min	1 Min	35 Sec	20 Min
B	2 Min	2 Min	45 Sec	30 Min
C	3 Min	3 Min	1 Min	40 Min
D	4 Min	4 Min	1.5 Min	50 Min
E	5 Min	5 Min	2 Min	60 Min
F	Manual	Infinite	2.5 Min	90 Min

**Note:** Wire Gauge:  
 22 AWG = Signal wires  
 22 AWG = Power wires  
 (Power runs over 50 feet use 18 AWG)

**Note:** Suggested Power Supply  
 PS/DC12  
 PS/AC16

12-24 VAC/VDC  
 250mA  
 Power Supply  
 Sold Separately

**ES610**  
 Alarms when the zone contacts open  
 Located at the guard desk  
 Sold Separately

12 VDC  
 150mA  
 Power Supply  
 Sold Separately

# ES4200-K1-T1 Magnetic Lock Configuration

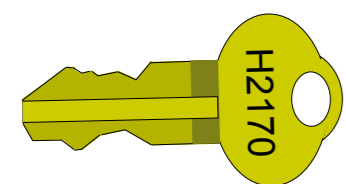
## Push Button REX

**Specifications: ES4200**

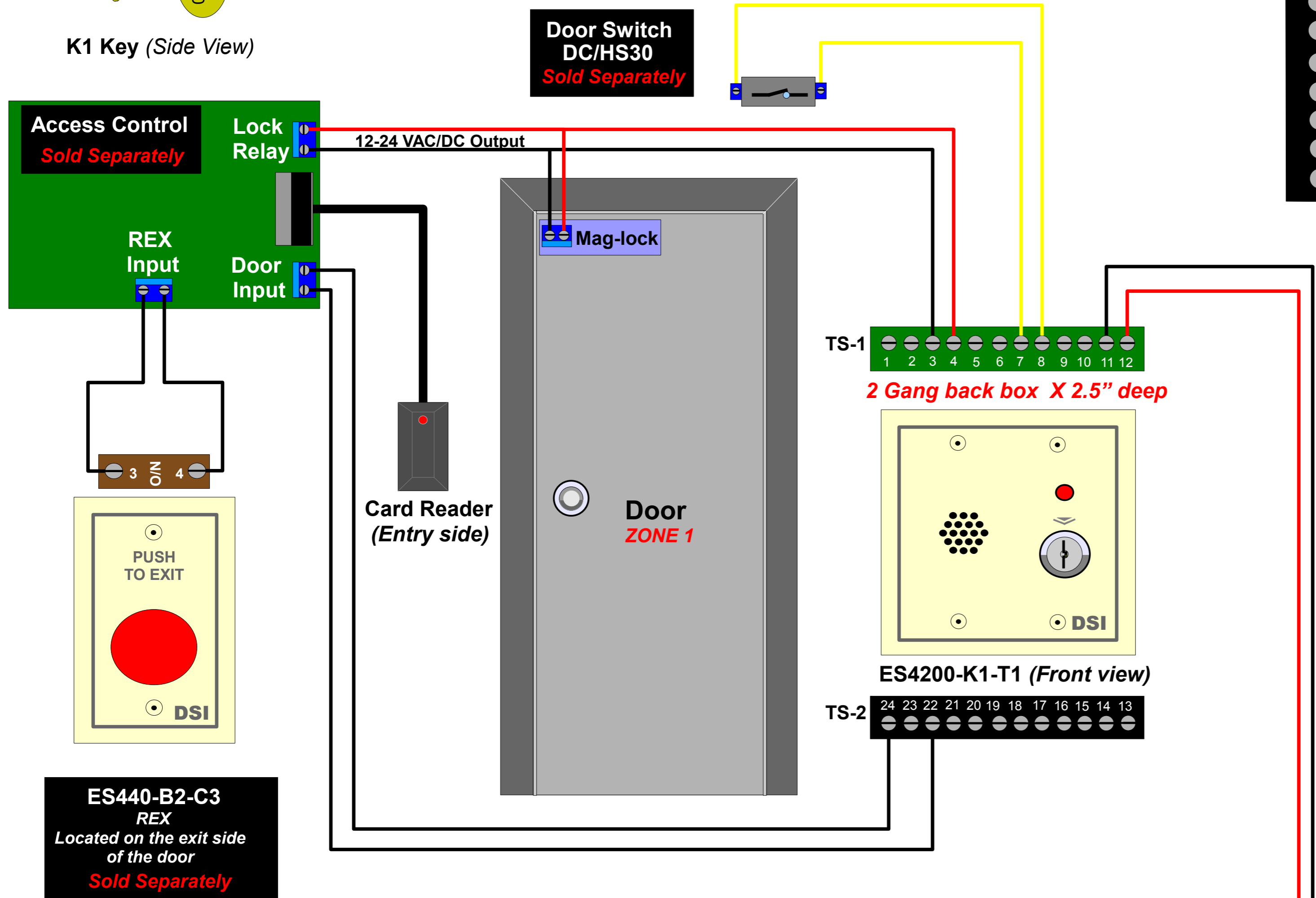
**Power: 12-24 VAC/VDC at (250ma)**

**Output Relays: N/C & N/O contact 1000ma at 30 VDC**

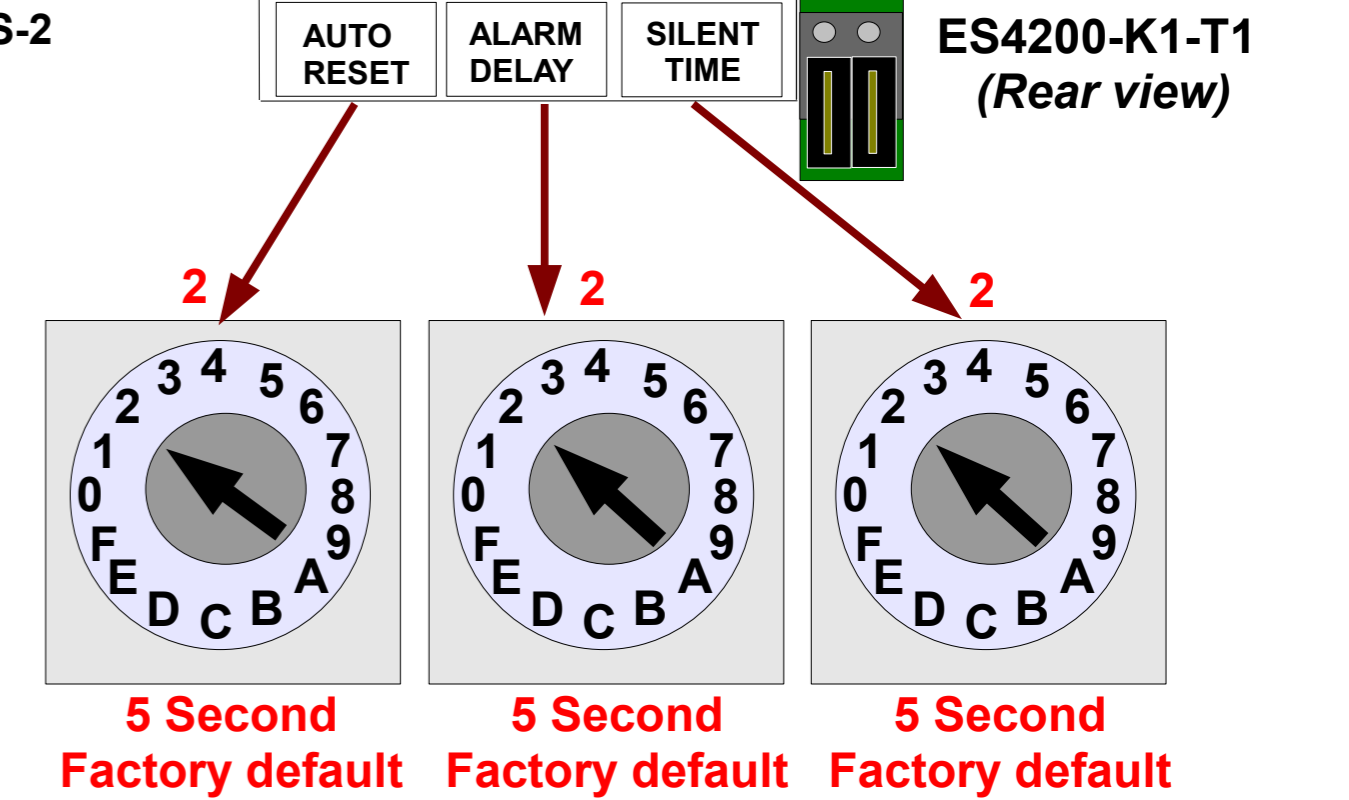
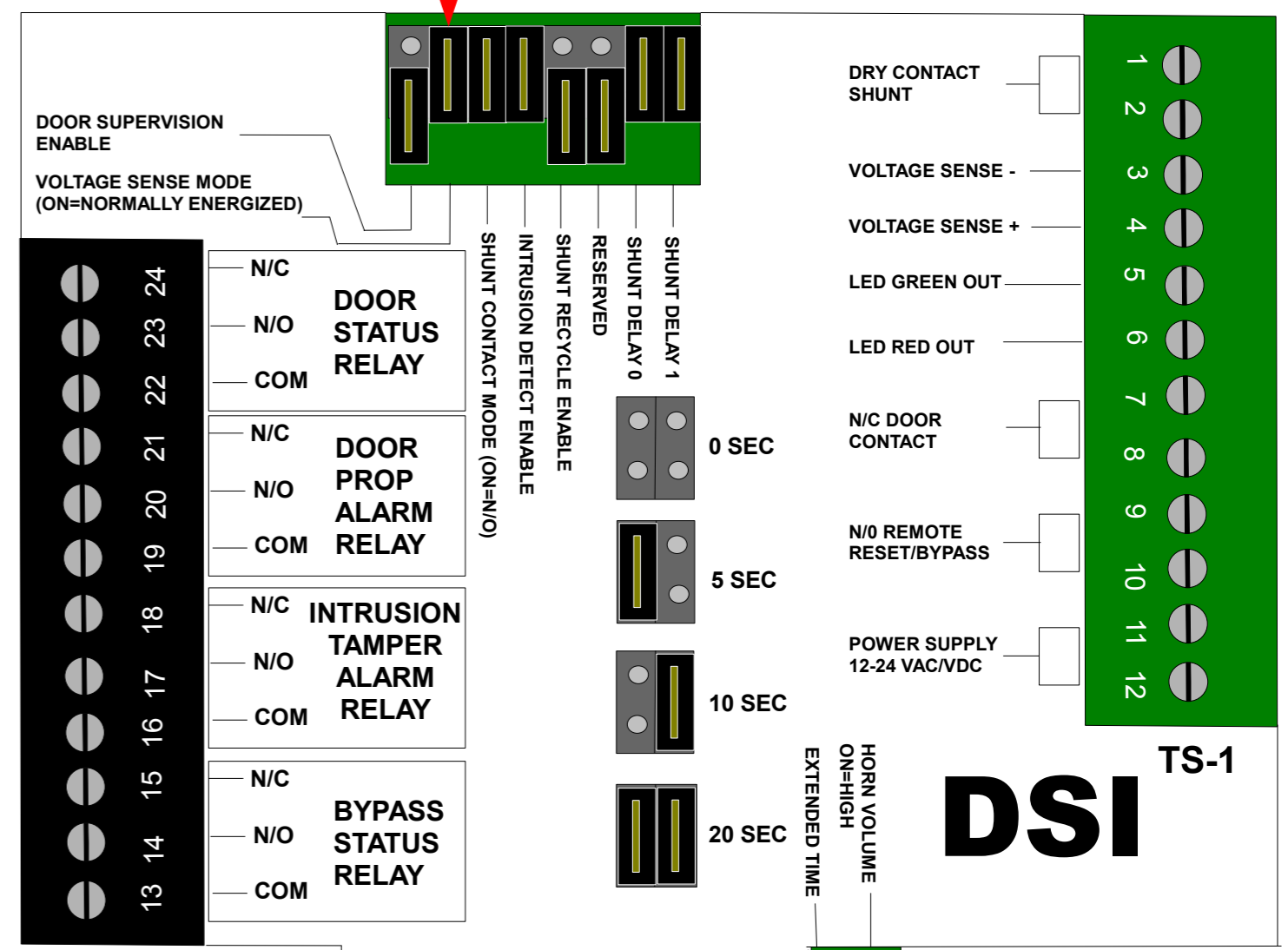
**Horn Volume: Selectable 96db or 103 db**



K1 Key (Side View)



Voltage Sense Mode Jumper placement



SET	Auto Reset	Alarm Delay	Silent Time	
			Normal	Extended
0	0 Sec	0 Sec	0 Sec	3 Min
1	3 Sec	3 Sec	3 Sec	3.5 Min
2	5 Sec	5 Sec	5 Sec	4 Min
3	7 Sec	7 Sec	7 Sec	4.5 Min
4	10 Sec	10 Sec	10 Sec	5 Min
5	12 Sec	12 Sec	12 Sec	6 Min
6	15 Sec	15 Sec	15 Sec	7 Min
7	20 Sec	20 Sec	20 Sec	8 Min
8	30 Sec	30 Sec	25 Sec	9 Min
9	45 Sec	45 Sec	30 Sec	10 Min
A	1 Min	1 Min	35 Sec	20 Min
B	2 Min	2 Min	45 Sec	30 Min
C	3 Min	3 Min	1 Min	40 Min
D	4 Min	4 Min	1.5 Min	50 Min
E	5 Min	5 Min	2 Min	60 Min
F	Manual	Infinite	2.5 Min	90 Min

12-24 VAC/VDC  
250mA  
Power Supply  
*Sold Separately*

**Note:** Wire Gauge:  
22 AWG = Signal wires  
22 AWG = Power wires  
(Power runs over 50 feet use 18 AWG)

**Note:** Suggested Power Supply  
PS/DC12  
PS/AC16

# ES4200-K1-T1 Door Strike Configuration

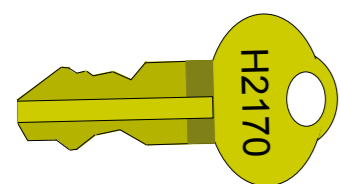
## Push Button REX

**Specifications: ES4200**

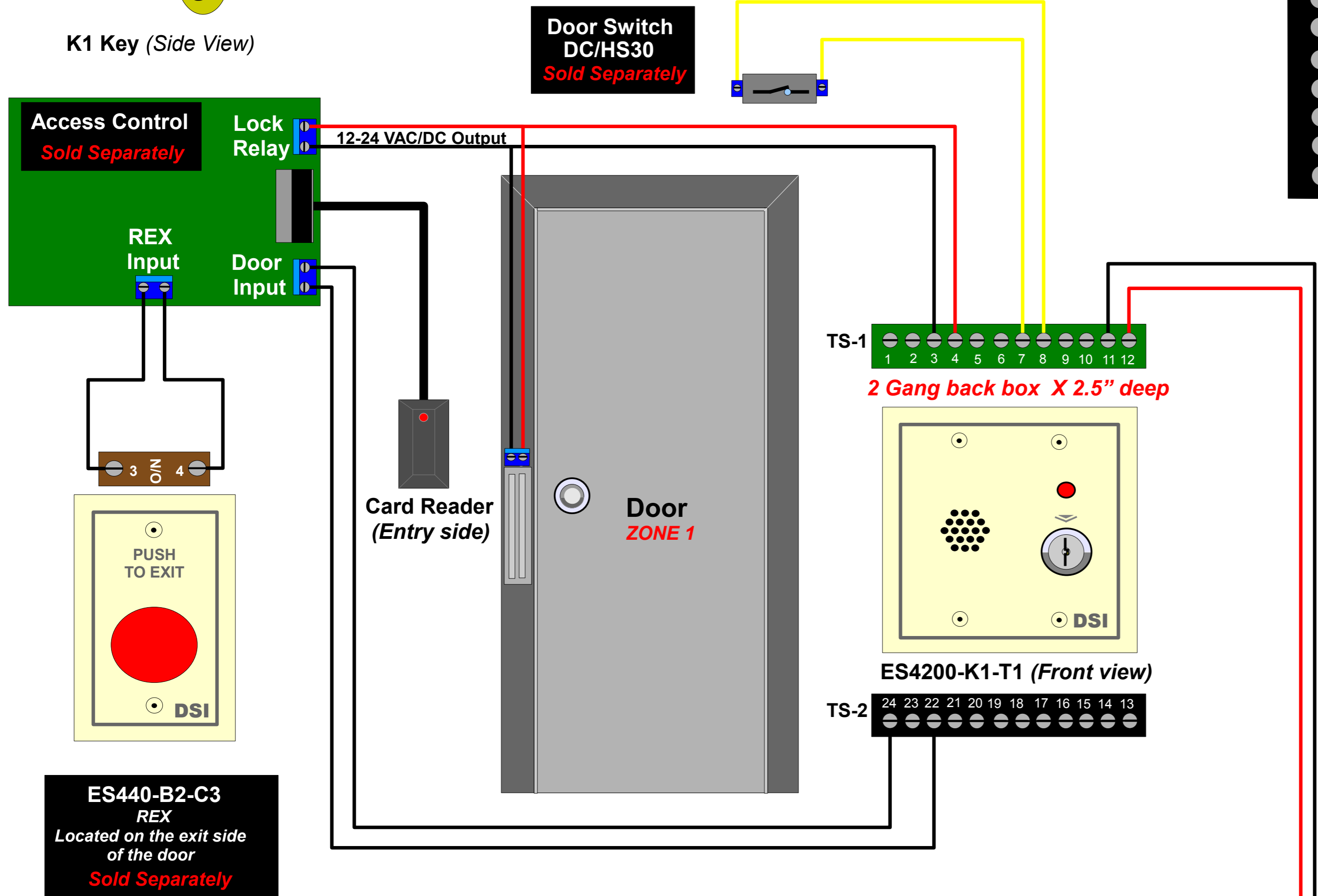
**Power: 12-24 VAC/VDC at (250ma)**

**Output Relays: N/C & N/O contact 1000ma at 30 VDC**

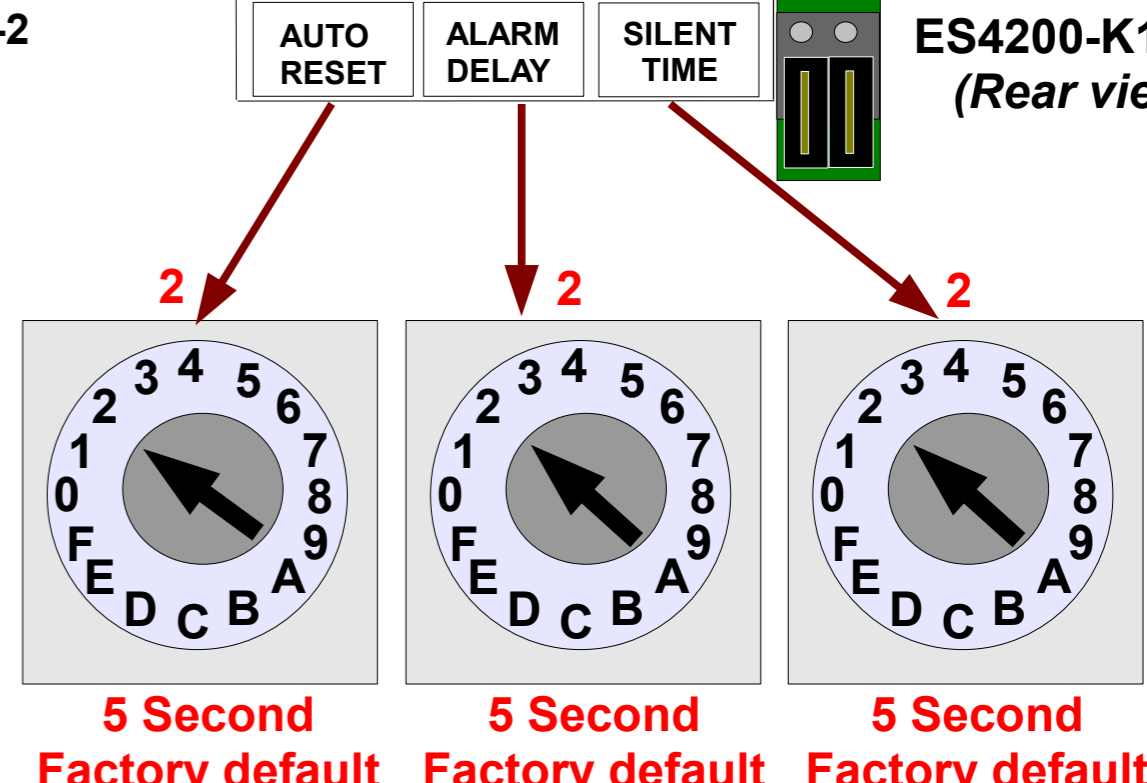
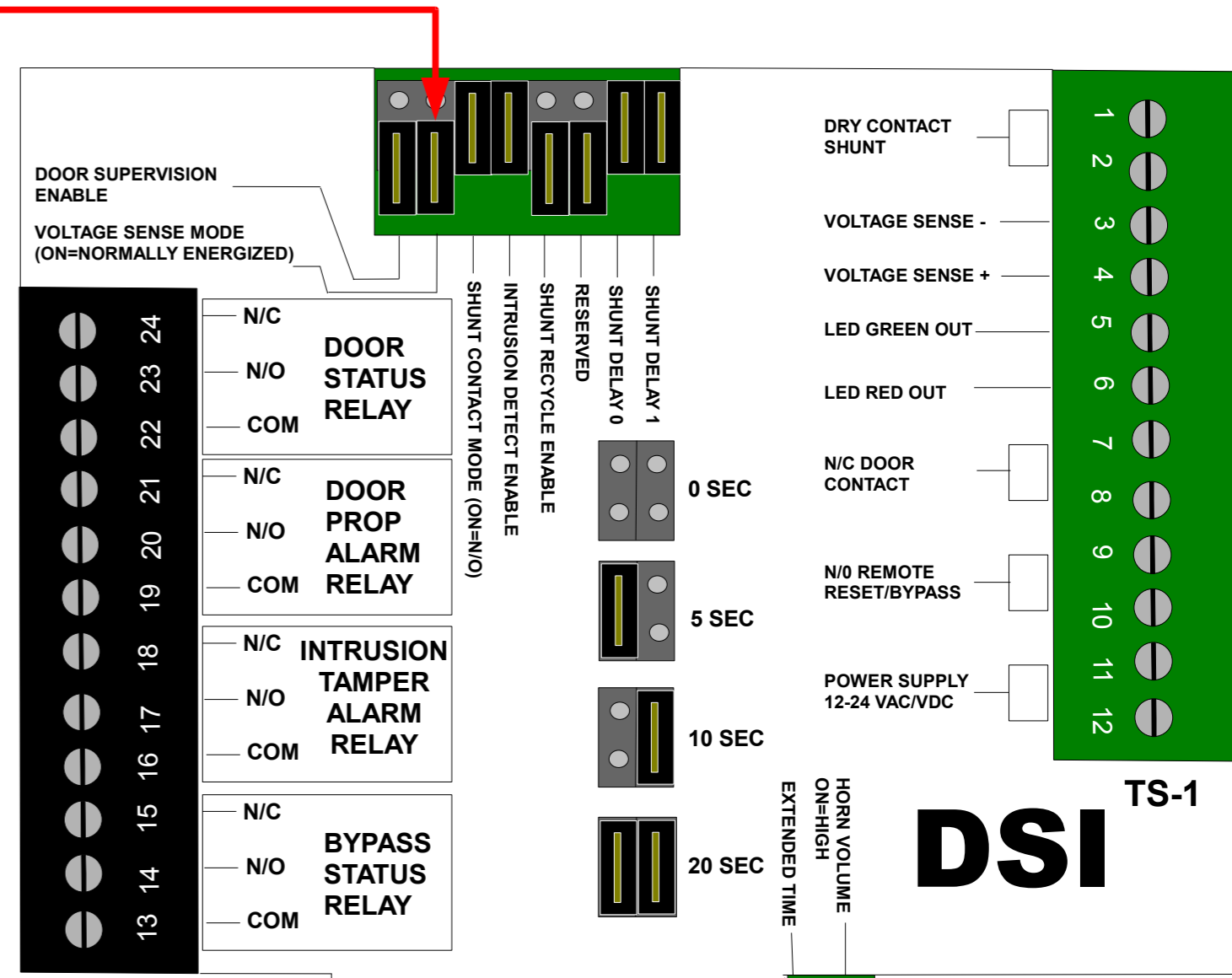
**Horn Volume: Selectable 96db or 103 db**



K1 Key (Side View)



Voltage Sense Mode Jumper placement



SET	Auto Reset	Alarm Delay	Silent Time	
			Normal	Extended
0	0 Sec	0 Sec	0 Sec	3 Min
1	3 Sec	3 Sec	3 Sec	3.5 Min
2	5 Sec	5 Sec	5 Sec	4 Min
3	7 Sec	7 Sec	7 Sec	4.5 Min
4	10 Sec	10 Sec	10 Sec	5 Min
5	12 Sec	12 Sec	12 Sec	6 Min
6	15 Sec	15 Sec	15 Sec	7 Min
7	20 Sec	20 Sec	20 Sec	8 Min
8	30 Sec	30 Sec	25 Sec	9 Min
9	45 Sec	45 Sec	30 Sec	10 Min
A	1 Min	1 Min	35 Sec	20 Min
B	2 Min	2 Min	45 Sec	30 Min
C	3 Min	3 Min	1 Min	40 Min
D	4 Min	4 Min	1.5 Min	50 Min
E	5 Min	5 Min	2 Min	60 Min
F	Manual	Infinite	2.5 Min	90 Min

12-24 VAC/VDC  
250mA  
Power Supply  
Sold Separately

**Note:**  
Wire Gauge:  
22 AWG = Signal wires  
22 AWG = Power wires  
(Power runs over 50 feet use 18 AWG)

**Note:**  
Suggested Power Supply  
PS/DC12  
PS/AC16