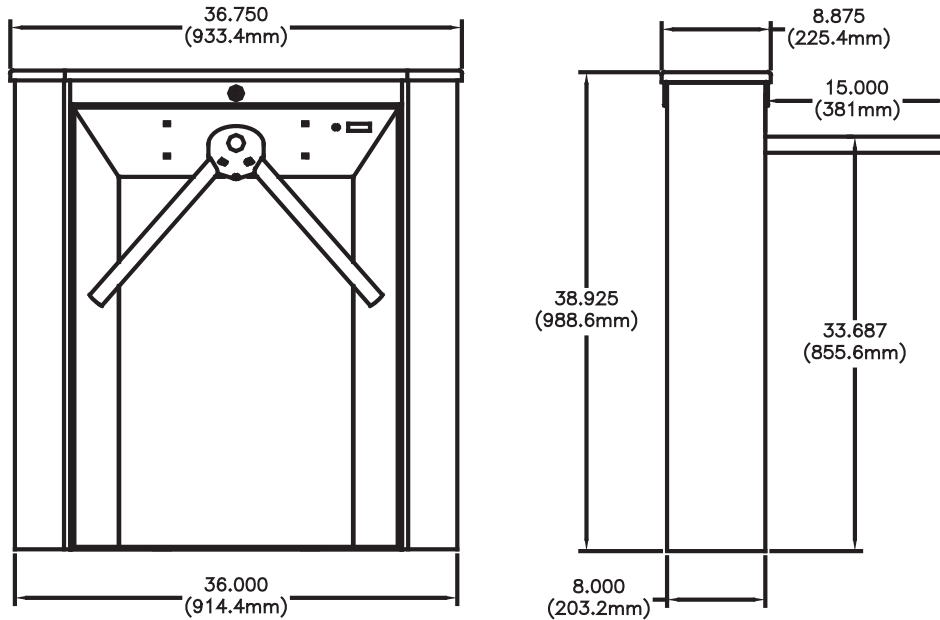




DS100 Series

DS100 Series



Measures:

- Height: 38.925" (988.7mm)
- Width: 36.750" (933.4mm)
- Depth: 8.875" (225.4mm)
- Arm length: 15" (381mm)

** Dimensions are subject to change without notice*

Options:

- Bidirectional key overrides
- 8 digit key resettable LCD counter with seven year lithium battery
-
- Corian, wooden or other alternate top choices outside of our standard selection
- Additional options available on request

Standard solid surface top choices (as of 2/15/2019):



Additional top selections, such as Corian® or wood can be quoted upon request. Top selections are subject to availability.



Product Features:

Cabinets are finished in:

- Our signature 304 stainless steel/
No. 4 satin finish

Round tops are available in your choice of:

- Designer solid surface colors to match your interior design needs

Design & Construction:

- Designed for secure operation with aesthetics in mind
- Cabinet inner and outer shells are constructed of (14 gauge) 304 stainless steel/No. 4 satin finish
- Arms constructed of 1-5/16" (33mm) diameter (12 gauge) stainless
- Minimal exposed hardware

Electrical Specifications:

Input voltage: 100-240 VAC

Input current: 1.3 - .55 A

Frequency: 50/60 Hz

Storage Temperature: -40 to 158°F

Operating Temperature: -4 to 131°F

(cold weather package available)

Operating voltage: 24VDC

Operating current: 1.2 A (typical)

Standards and Codes:

Austenitic stainless steel:

ASTM A240, A249, A276

Hot rolled steel:

AISI C-1020, AISI C-1018

Hot dipped galvanizing:

ASTM A-143, ASTM A-153-80

Stainless steel fasteners:

ASTM A-320

American Welding Society (AWS)

Standard D 1.1

Matching ADA Gate available

DS100-R-ADA with optional motorization is available for the DS100 series.

Warranty:

Units are warranted against defects in materials and workmanship for a period of one year from date of invoice.